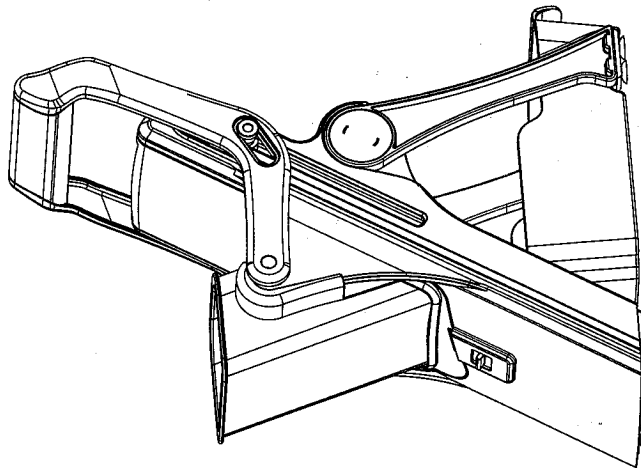
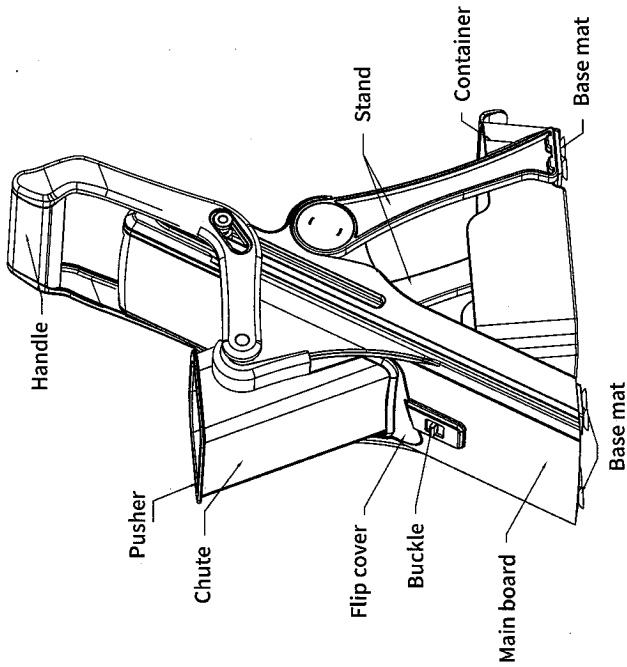


Safe Mandoline Slicer

- Multifunction
- Effortless
- Portable



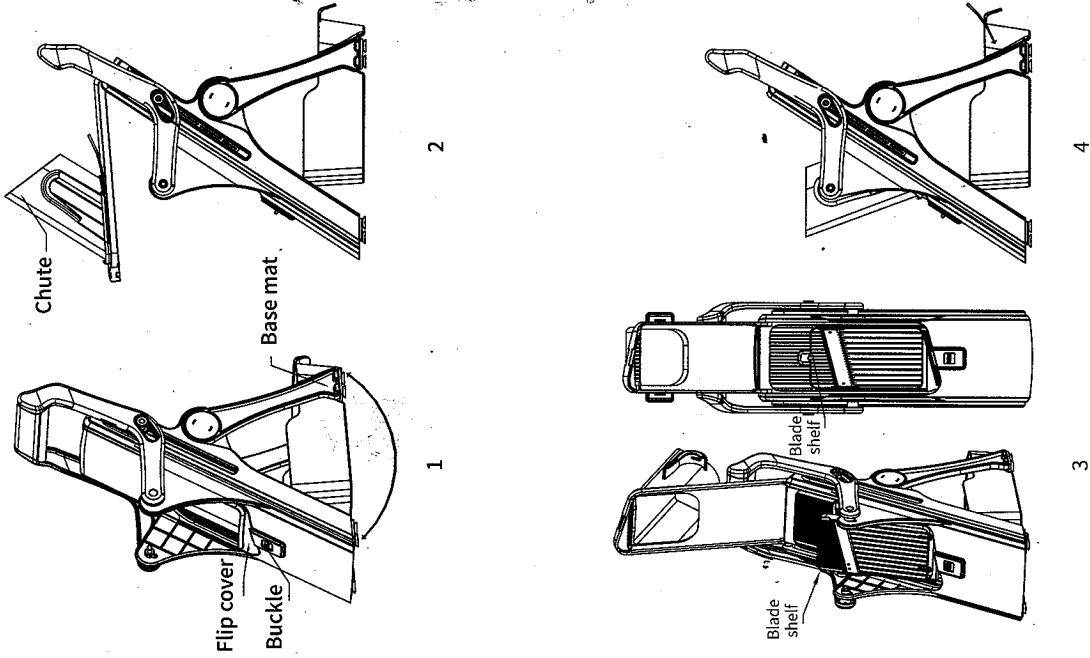
Product Structure



Features:

1. Designed to keep hands and fingers away from blades, for an easier, safer way to slice.
2. Simple operation, multiple blade combinations, easy to switch.
3. Lever hand press design, more effortless.
4. Detachable parts, easy to clean.

Step Diagram

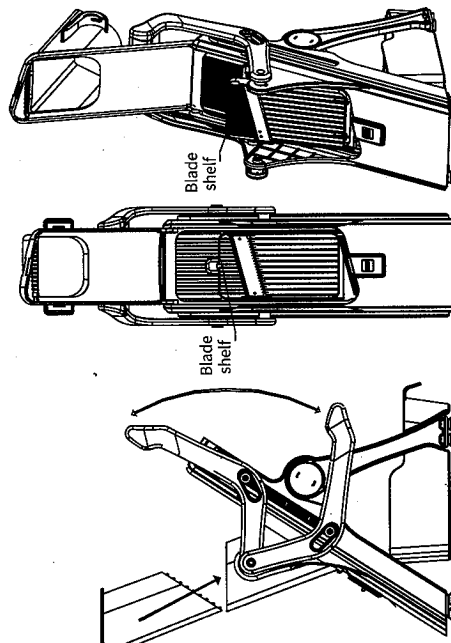


MADE IN CHINA



Attentions:

1. Make sure that all the accessories are installed properly and run normally before using.
2. Make sure that all kinds of meat need to be frozen before cutting.
3. Do not use the product violently.
4. Do not put your fingers into the cutting mouth or touch the blades.
5. Keep the product away from open fires and heat sources.
6. Keep the product out of reach of children. People who are lack of relevant experience and knowledge cannot use the product.



5

6

Instructions

1. Install the product

Take out the product, open and set up the product stand (Picture 1). Press the spring latch at the bottom of the main board, open the flip cover of the main board at the same time, and slide the food chute into the slot (Picture 2).

After being installed, insert the blade into the main board (Picture 3).

Put down the flip cover of the main board and ensure that the spring latch is locked, put the food container under the main board, and fix the stand. (Picture 4).

2. Food processing

Put the ingredients into the chute. If the ingredients are large, please cut them into suitable sizes first. Then press the handle of the product, and at the same time use the pusher to gently push the ingredients down to make the ingredients touch blade. Then cut the ingredients by pressing down on the handle, just repeat the operation. (Picture 5).

3. Blade replacement

Press the buckle of main board and open the flip cover at the same time, then take out the previous shred/slice blade, align the new blade with the buckle and install it in place (Picture 6). Close the flip cover to complete the blade switch.

After-sales Service

If you are using this product when the failure or cannot work properly, please contact the after-sales service personnel of this product to replace the qualified product. Because of the different failure circumstances, sometimes it is not the product quality problem, please read this instruction manual carefully before returning that product. This instruction manual will not be reissued. Please keep it properly to avoid loss.

Product Quality Assurance After-sale Certificate

Name:	Phone:	Address:	
<p>The product has passed the inspection and the product instruction manual is attached. If you operate this product normally according to this manual, and the product itself fails, you can contact our customer service staff. Please confirm that the user information (name, address, etc.) on the product quality assurance certificate and repair certificate is accurate, because these information may be used in the after-sales service center, please understand.</p> <p>In addition, For consumer privacy, we will not publish, rent or display your information to any third party, except in special circumstances. However, unless required by the court or for the purpose of guaranteeing the interests of the Company, etc</p>		<p>If this product breaks down during the warranty period, please bring the product manual and product together to the after-sales service personnel for maintenance. But if any of the following situations occurs, even within the warranty period, we cannot offer free charge service.</p> <ol style="list-style-type: none"> 1. The purchase time may exceed one year when this product breaks down. 2. Cannot provide instructions, sales seals or proof of purchase to prove the purchase time. 3. Deliberately tampering with the date and other relevant information on the quality assurance certificate. 4. Failures caused by natural disasters such as wars, earthquakes, typhoons, fires, floods and uncontrollable circumstances. 5. The product is scratched, stained or damaged in appearance during use. 6. Failures caused by unauthorized disassembly, assembly, and maintenance. 7. Failures caused by falling, being placed in water, improper operation, violation of regulations or violation of the precautions mentioned in the situation (see precautions page). 	