

# CRYSTALVIEW™

## Bluetooth Digital Audio Multimedia Center Instruction Manual



MODEL: MES-1/5901

PLEASE READ ALL INSTRUCTIONS CAREFULLY AND RETAIN FOR FUTURE USE

# Contents

<b>Safety Information</b>	2
Disc handling	2
Package Cotents	3
Assembling the unit --Floor Standing Style	4
Assembling the unit --Floor Standing Style (Continued)	5
Assembling the unit --Floor Standing Style (Continued)	6
Assembling the unit--on wall	7
Assembling the unit--on wall (Continued)	8
Assembling the unit--on wall (Continued)	9
Assembling the unit--on wall (Continued)	10
<b>Functions and Controls &amp; Overview of controls(Main Unit)</b>	11
<b>Overview of controls(Remote Controller)</b>	12
<b>Operating Instructions</b>	12
<b>Function / Mode</b>	12
<b>Aux/Audio</b>	12
<b>General operation</b>	12
Time setting	12
Alarm setting	12
Snooze	12
Sleep timer	12
Dimmer	13
<b>FM/AM operation</b>	13
<b>Bluetooth operation</b>	13
Paring and connecting	13
During playing	13
<b>Disc Operation</b>	13
During playing	13
<b>Program procedure</b>	14
<b>USB operation</b>	14
During playing	14
<b>Care and Maintenance</b>	14
<b>Troubleshooting</b>	15
<b>Technical Specifications</b>	16
FCC statement	17
Limited Warranty	18



## Safety Information

**Important** – Please read these instructions fully before installation

**CAUTION: TO REDUCE THE RISK OF ELECTRIC SHOCK, DO NOT REMOVE ANY COVER. NO USER-SERVICEABLE PARTS INSIDE, REFER ANY SERVICING TO QUALIFIED SERVICE PERSONNEL.**

- Please read this owner's guide
- Please take the time to follow the instructions in this owner's guide carefully. It will help you set up and operate your system properly and enjoy all of its advanced features.
- Please save this owner's guide for future reference.
- The product label is located on the back of the product.
- This product must be used indoors. It is neither designed nor tested for use outdoors, in recreation vehicles, or on boats.
- Heed all warnings - on the product and in the owner's guide.
- Do not use this apparatus near water or moisture. Do not use this product near a bathtub, washbowl, kitchen sink, and laundry tub, in a wet basement, near a swimming pool, or anywhere else that water or moisture is present.
- Only use attachments/accessories specified by the manufacturer.
- Unplug this apparatus during lightning storms or when unused for long periods of time - to prevent damage to this product.
- Refer all servicing to qualified service personnel
- Servicing is required when the apparatus has been damaged in any way: such as liquid has been spilled or objects have fallen into the apparatus; the apparatus has been exposed to rain or moisture, does not operate normally, or has been dropped - Do not attempt to service this product yourself. Opening or removing covers may expose you to dangerous voltages or other hazards.
- To prevent risk of fire or electric shock, avoid overloading wall outlets, extension cords, or integral convenience receptacles.
- Use proper power sources - Plug the product into a proper power source, as described in the operating instructions or as marked on the product.
- The mains plug is used as the disconnect device, the disconnect device shall remain readily accessible



### CAUTION

**RISK OF ELECTRIC SHOCK!  
DO NOT OPEN!**



This symbol means that this unit is double insulated. An earth connection is not required.

### CAUTION : CLASS 1 LASER PRODUCT

Use of contents or adjustments of performance of procedures other than those specified Herein may result in hazardous radiation exposure.

### LASER SAFETY



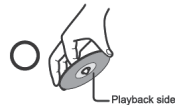
This unit employs a laser, only qualified service personnel should attempt repair.

**DANGER:** Invisible laser radiation when open and interlock failed or defeated avoid direct exposure to beam.

**CAUTION:** hazardous laser radiation when open and interlock defeated.

### Disc handling

- Do not touch the playback side of the disc.
- Do not attach paper or tape to disc.



- Fingerprints and dust on the disc cause picture and sound deterioration. Wipe the disc from the centre outwards with a soft cloth. Always keep the disc clean.



- If you cannot wipe off the dust with a soft cloth, wipe the disc lightly with a slightly moistened soft cloth and finish with a dry cloth.
- Do not use any type of solvent such as thinner, benzene, commercially available cleaners or antistatic spray for vinyl. It may damage the disc.
- Do not store discs in a place subject to direct sunlight or near heat source.
- Do not store discs in a place subject to moisture and dust such as a bathroom or near a humidifier.
- Store discs vertically in a case, stacking or placing object on discs outside or their case may cause warping.

# Package Contents

Bluetooth Digital Entertainment Speaker System

Instruction Manual

Remote Control

RCA Cable

Auxiliary Cable

Assembly and Mounting Apparatus

Steel Pipe 1pcs

Base 1pcs

Metal Brackets 2pcs

Wall Plugs 4pcs

Rubber Gaskets 2pcs

Three Types of Screws

PA3\*10 6pcs

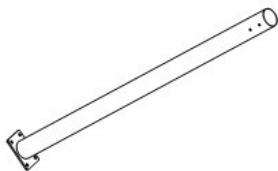
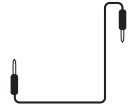
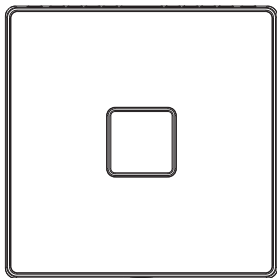
( 4 pcs for fixing cable under the base, 2 pcs for connecting steel pipe. )

PWM4\*17 4pcs

( For fixing the base and the metal plate. )

KA3.5\*25\*8mm 4pcs

( For fixing the metal brackets on wall. )



PA3\*10



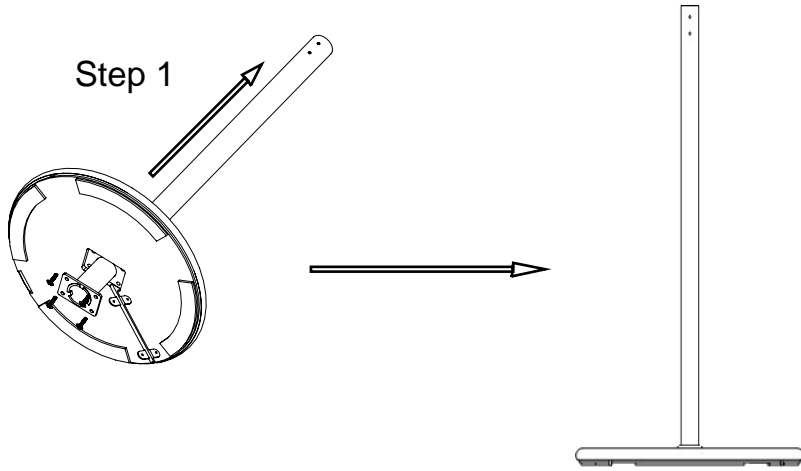
PWM4\*17



KA3.5\*25\*8mm

# ASSEMBLING THE UNIT

## Assembling the Unit---Floor Standing Style

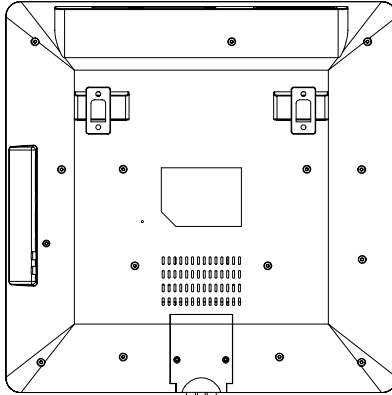


### Step 1:

Insert the pipe from the bottom of the stand and fix it with screws supplied.

# ASSEMBLING THE UNIT

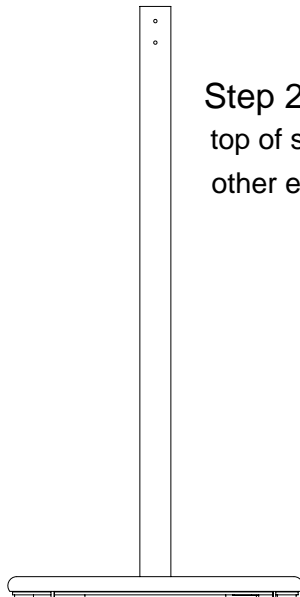
Assembling the Unit---Floor Standing Style(Continued)



Step 2

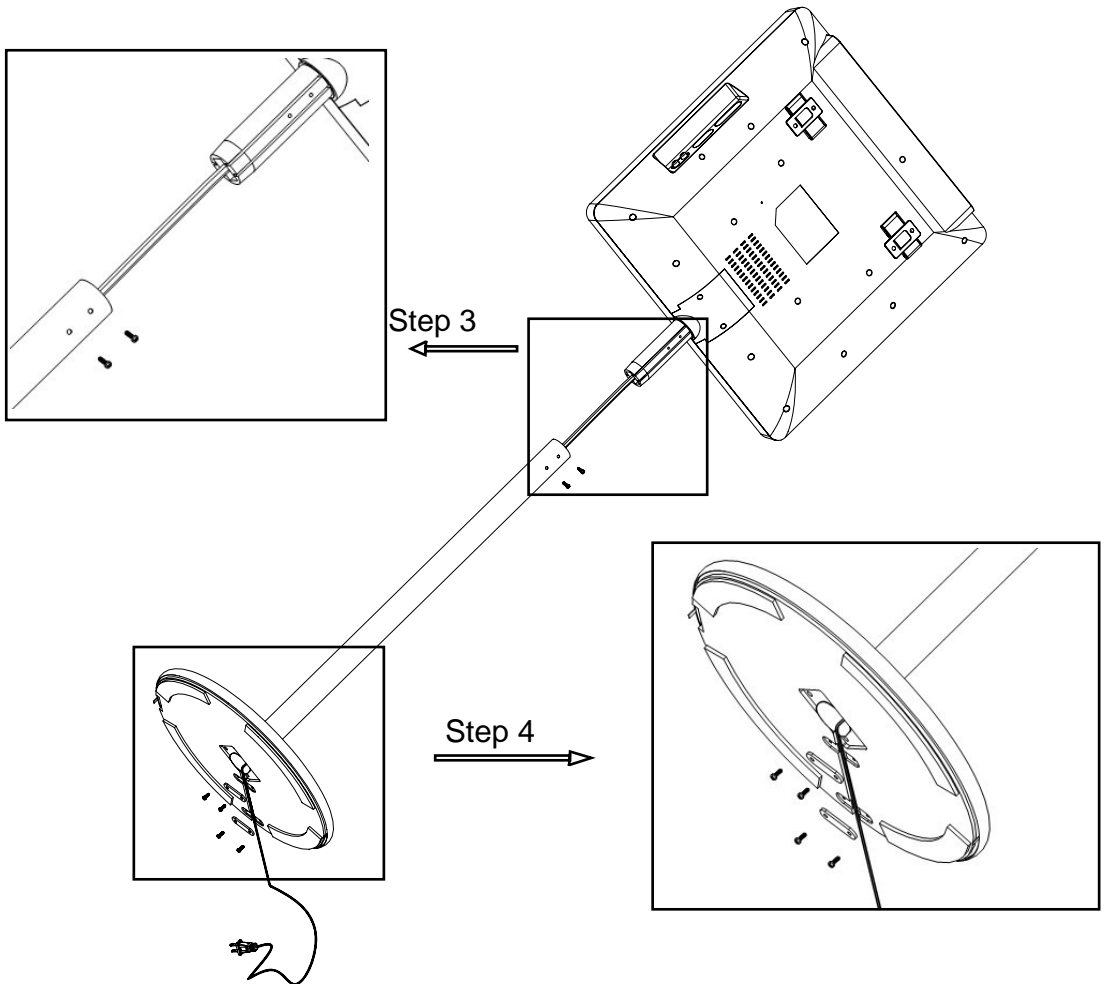


**Step 2:** Insert the connection cord in the top of steel pipe, and run it through the other end of the steel pipe.



## ASSEMBLING THE UNIT

### Assembling the Unit---Floor Standing Style(Continued)

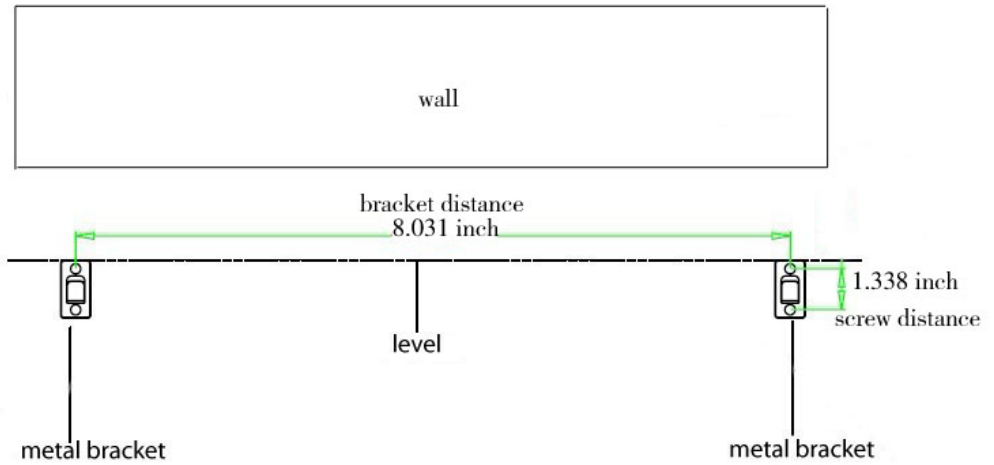


**Step 3:** Insert the upper part of the unit into the steel pipe then use screw to fix two parts.

**Step 4:** Pull wire towards the base, and fix it to the bottom of the stand using the rubber brackets and screws provided. This concludes your assemble process.

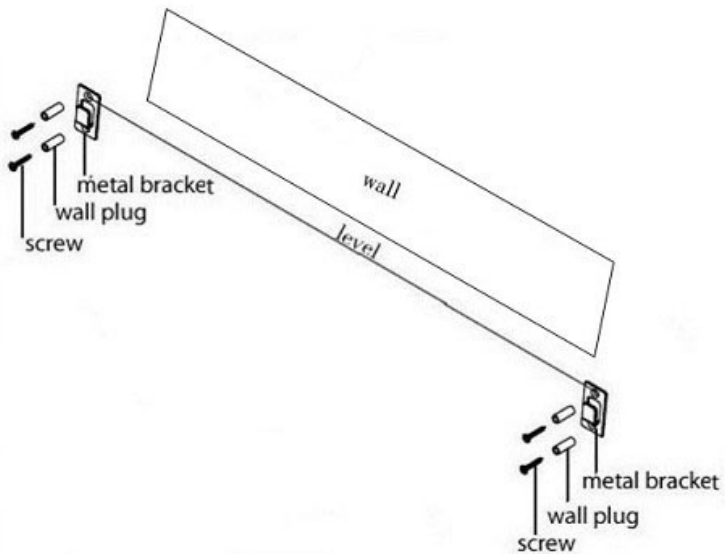
# ASSEMBLING THE UNIT--- ON WALL

Step 1: Drilling holes according to the size in Fig below.



NOTE: Two metal brackets should be placed at the same level.

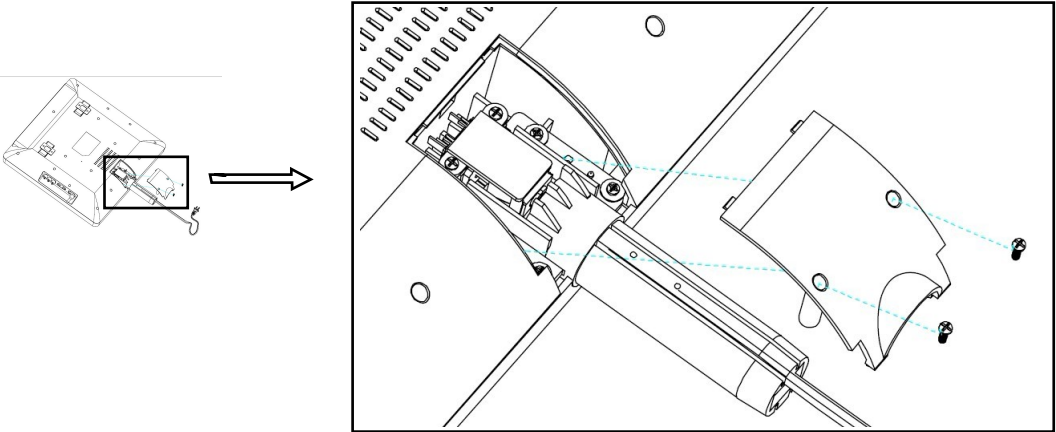
Step 2: Insert the wall plug and fix metal brackets on wall with screws provided.



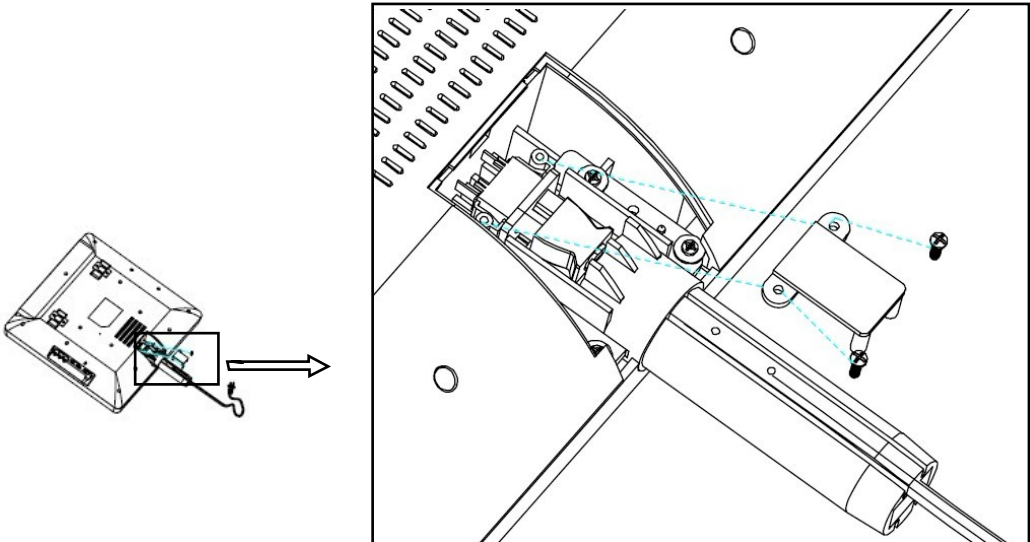


# ASSEMBLING THE UNIT---ON WALL(Continued)

Step 3:Uncover the power plug plastic cover at the back of the unit.  
Screw out and take off the cover.

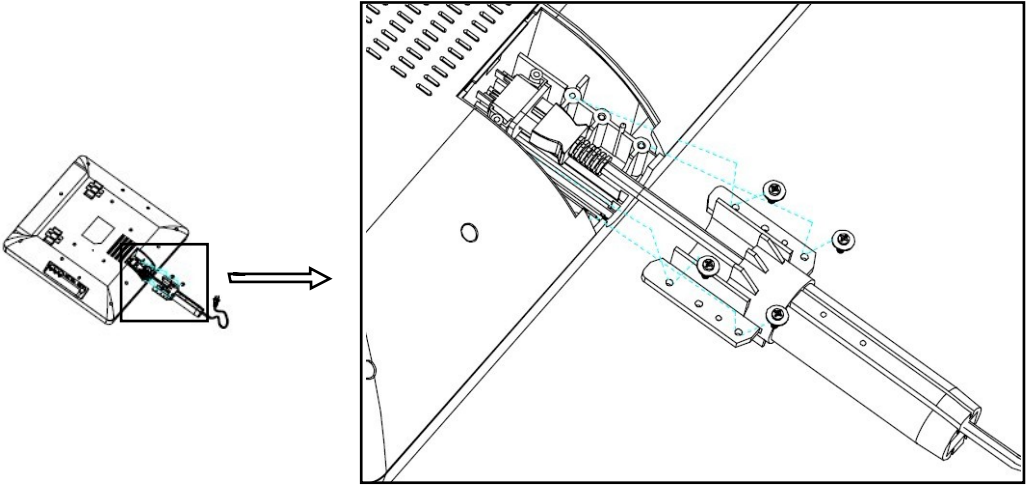


Step 4:Screw out and disassemble the bracket fixing the power plug.

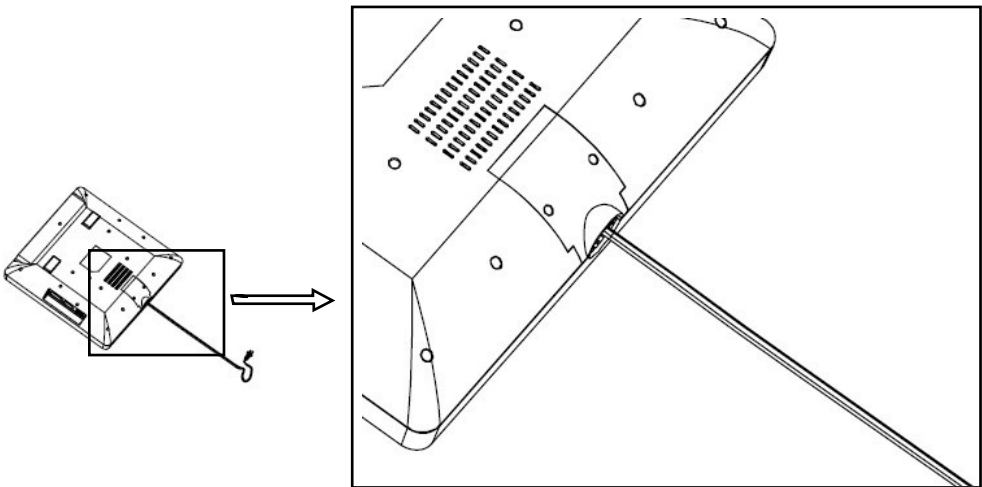


## ASSEMBLING THE UNIT---ON WALL(Continued)

Step 5: Screw out and disassemble the short connecting and fixing pipe.

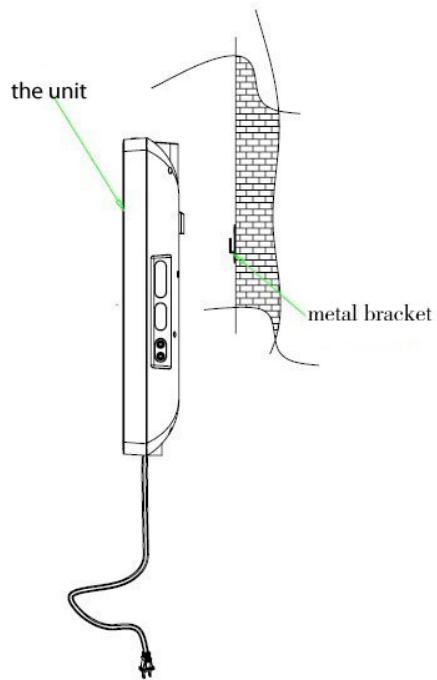


Step 6: Insert the power source plug and screw the brackets and the cover back.



## ASSEMBLING THE UNIT---ON WALL(Continued)

Step 7: After fixing the bracket at the back of the unit, hang the unit on the wall.



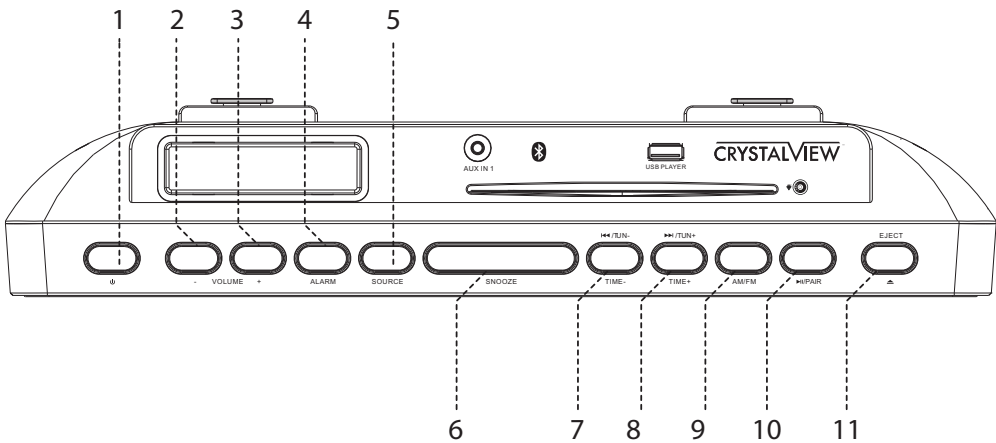
## Functions & Controls

Please familiarize yourself with the parts and accessories listed below

### Accessories included

- 1 x Instruction manual
- 1 x RCA cable
- 1 x AUX IN cable with 3.5mm stereo plug
- Wall mount brackets and screws
- 1 x Remote control

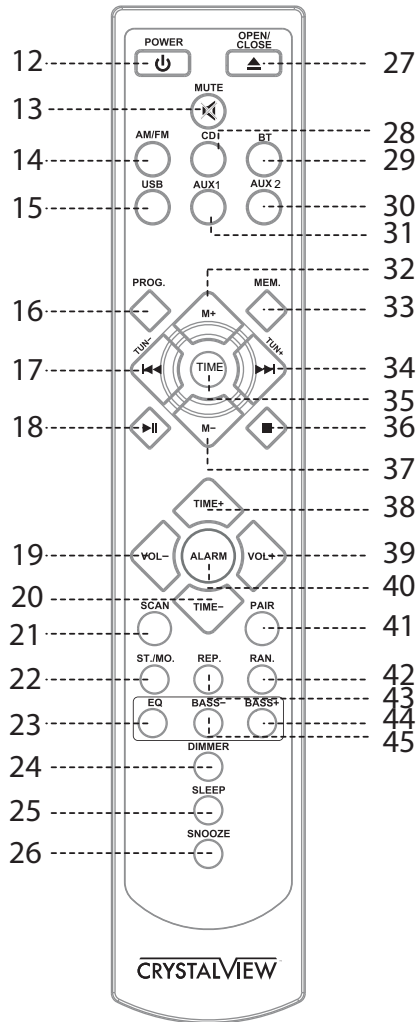
### Overview of controls(Main Unit)



1. Power standby
2. Volume down
3. Volume up
4. Alarm
5. Source
6. Snooze

7. ◀◀[Tune down/ previous] / time -
8. ▶▶[Tune up/ next] / time +
9. AM/FM Radio
10. ⏸ [ Play/ pause] /Pair button/Time set
11. Disc eject/inject

## Overview of controls(Remote Controller)



12. Power standby

13. Mute

14. AM/FM

15. USB source

16. Program

17. ◀◀ [Tune down/ Previous]

18. ▶▶ Play/ pause

19. Volume down

20. Time -

21. AM/FM scan

22. ST/MO[Stereo / mono]

23. EQ

24. Dimmer

25. Sleep

26. Snooze

27. Disc eject / inject

28. CD source

29. Bluetooth mode

30. AUX2 source

31. AUX1 source

32. Radio preset recall

33. Memory

34. ▶▶[Tune up/ Next]

35. Time

36. ■ Stop

37. Radio preset recall

38. Time +

39. Volume up

40. Alarm

41. Bluetooth pairing

42. Random

43. Repeat

44. Bass up

45. Bass down

## Operating Instructions

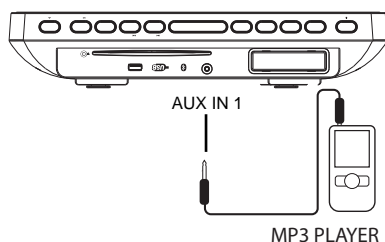
### Functions / Mode

#### AUX AUDIO

Connect to external media devices like MP3 player, iPod, mobile phones etc to the unit, using the 3.5mm audio cable (Included).

**NOTE:** This function requires the **AUDIO CONNECTION** to be made to an external media device. This function will not work connected to a TV input.

1. Insert a 3.5mm cable into the AUX IN 1 input socket on the control panel.
2. Insert the other end to your audio devices headphone output or Line-out.



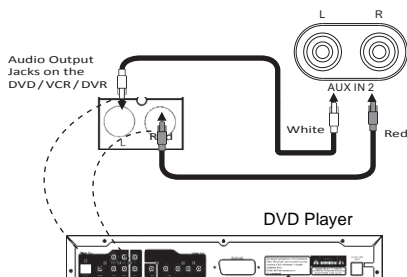
3. Press the **SOURCE** button until AUX IN 1 appears on the display.
4. Press **PLAY** on the external audio source EG:- MP3 player.

**NOTE:** The audio output level is effected by the volume on the source EG: MP3 player so make sure that is set to about 70-80% (not too loud to avoid distortion).

5. Adjust the **VOLUME** control on the amplifier to set the main volume level.

#### RCA Connectivity

Use RCA Audio Cable (included) to connect to external devices like DVD player / DVR / VCR etc.



1. Connect the AV cable to the Audio Output Jacks (White Jack=L, Red Jack=R) on DVD player and Audio Input Jacks on the rear of the unit.
2. Press **SOURCE** button until AUX 2 appears on the display.
3. Activate the external device.

### General operation

#### Time setting

1. Place the unit into Standby mode.
2. Hold **TIME** button on the remote control to start the time setting. Then "12Hr" or "24Hr" will appear on the display.
3. Press **TIME +/-** button to set 12h or 24h. Then press **TIME** button to confirm.
4. Press **TIME +/-** to set hour and press "TIME" to confirm, then, minute digit will flash.
5. Press **TIME +/-** to set minute digit. Press "TIME" to confirm.

#### Alarm setting

1. Place the unit into Standby mode.
2. Hold **ALARM** button on the remote control to activate the alarm setting.
3. Press **TIME+** and **TIME-** button to adjust the hour and the minute. Then press **ALARM** button to confirm.
4. Press **TIME+** or **TIME-** button to select the alarm rings as FM ("F") or buzzer ("b"). Then press **ALARM** button to confirm.
5. Press "**TIME +/-**" to set alarm volume level.
6. Press **ALARM** to confirm.

#### Snooze

When the alarm rings, press **Snooze** button to turn off the ring and 9 minutes later, the alarm will ring again.

#### Sleep timer

Press **SLEEP** button and it will show SLEEP and 90 on the screen. The speaker will auto off after 90 minutes.

Press **SLEEP** button again, it will change to 80, 70, 60... 10 and sleep timer off. The duration ranges from 10-90 minutes.

#### Dimmer

Press **DIMMER** button to adjust the display brightness.

## FM/AM operation

1. Press **AM/FM** until radio FM or AM appears on the display.
2. Press the **AM/FM** button to switch between AM and FM.
3. Hold **TUNE+** and **TUNE-** button search for the stations. Unit will play media when a station is found.
4. Press **MEM** button, then PX will appear on the display. Press **M+** or **M-** button to select the place you want the station to be stored. Then press **MEM** button again to store.
5. Press **M+** or **M-** button to listen to the preset stations.

## Bluetooth Operation

### Pairing and Connecting

1. Press **BT** button until bt appears on the display, the unit will start to search, for the last connected device if it is found. If it is not found, the unit will search for other devices.
2. Activate the Bluetooth connection on the external device. eg: mobile phone, ipad...
3. "CRYSTALVIEW DMC" will appear on the list of detectable devices on your pairing device.
4. Select it to complete the pairing process. Once it paired, beep sound will be heard.

**NOTE:** Enter 0000 when asked for a password during connecting.

### Re-Pairing or Pairing New Devices

While the unit is on, Press and hold the Pair button until beep sound is heard. When pairing, remain within 3 feet of the unit. Using the native controls on your Bluetooth device, select the "CRYSTALVIEW DMC" in your Bluetooth setting to pair. If your device requests a password, enter default password "0000". Refer to user's manual for your specific device for instructions on pairing and connecting Bluetooth devices. When successfully paired and connected, Beep Sound will be heard. After initial pairing, the unit will stay paired unless unpaired manually by the user or erased due to a rest of the device.

## During Playing

- Press **⏮** and **⏭** button to skip to the previous or next track.
- Press **⏸** button to pause the playback, press again to resume the playback.

**NOTE:** **⏮** **⏭** **⏮** buttons may not work with all the Bluetooth sources.

## Disc Operation

1. Press **CD** button until CD appears on the display.
2. Load the disc, it will play automatically.
3. Press **▲** button to eject disc when finished.

## During Playing

- Press **⏮** and **⏭** button to skip to the previous or next track.
- Press **⏸** button to pause the playback, press again to resume the playback.
- Press **■** button to stop the playback
- Press **RAN** button on remote control to activate or deactivate random mode.
- Press **REP** button on remote control to activate or deactivate repeat mode.
- Press **PROG** button to play the contents in the pre-selected order.

Note: Device supports only audio CD or mp3 CD. Does not support VCD or DVD discs.

## Program Procedure

1. While in CD Or USB mode, press STOP, then press PROG, "Pro" will appear on screen.
2. Press PREV/NEXT to select the track desired to be programmed, at the same time, the selected tracks display on screen, the press PROG to confirm.
3. Repeat Step 2, to program more tracks.
4. Press PLAY to start playing the programmed tracks. Press STOP twice to cancel programming.

## USB operation

1. Press the USB button until USB appears on the display.
2. Insert the USB device into the USB port. It will automatically start playing

### During Playing


- Press ◀ and ▶ button to skip to the previous or next track.
- Press ⏸ button to pause playing, press again to resume the play.

- Press ■ button to stop the play.
- Press REP button on the remote control to activate or deactivate Repeat mode.
- Press RAN button on the remote control to turn on or activate or deactivate Random mode.
- Press PROG button on the remote control to play the contents in the pre-selected order.

#### NOTE:

For all General Operation. BASS+/- will be effective in EQ "NORMAL" MODE, unfunctional in other EQ MODE.

## Care & Maintenance

 **Important: Always unplug the appliance from the power socket during cleaning and maintenance.**

- Never use any sharp instruments or abrasive substances, soap, household cleaner, detergent or wax polish for cleaning.
- Clean the external surfaces with a damp soft cloth only. Never use abrasive products or solvents as it may damage the appliance.

## Troubleshooting

Problem	Reason(s)	Solution(s)
No Power	<ul style="list-style-type: none"> <li>• Power cable not connected to wall socket</li> <li>• Standby mode active</li> </ul>	<ul style="list-style-type: none"> <li>• Make sure the plug is connected</li> <li>• Press the STANDBY button to wake the unit</li> </ul>
Disc will not play	<ul style="list-style-type: none"> <li>• Disc not inserted correctly</li> <li>• Defective disc</li> <li>• Moisture on disc</li> <li>• Non standard disc</li> <li>• Lens is dirty</li> <li>• The unit requires resetting</li> </ul>	<ul style="list-style-type: none"> <li>• Remove and re-load the disc with the label facing on the front</li> <li>• Try another disc</li> <li>• Wipe, clean and try again</li> <li>• Use a disc bearing the standard logo</li> <li>• Use a CD lens cleaner</li> <li>• Disconnect from the mains power for 30 seconds, and re-connect and try again.</li> </ul>
No sound	<ul style="list-style-type: none"> <li>• Volume control set to minimum</li> <li>• Defective disc</li> <li>• Audio connections not correct</li> </ul>	<ul style="list-style-type: none"> <li>• Increase the volume level</li> <li>• Try another disc</li> <li>• Check the Audio connections to the TV or AMP</li> </ul>
Disc playing error	<ul style="list-style-type: none"> <li>• Defective disc</li> </ul>	<ul style="list-style-type: none"> <li>• Try another disc</li> </ul>
Remote not working	<ul style="list-style-type: none"> <li>• Battery is exhausted</li> </ul>	<ul style="list-style-type: none"> <li>• Replace the battery with two new 2 x AAA batteries</li> </ul>
Bluetooth can not paired	<ul style="list-style-type: none"> <li>• Connection lost</li> </ul>	<ul style="list-style-type: none"> <li>• Try restarting the device and pairing steps again</li> </ul>



## Technical Specifications

General	
<b>Power source</b>	AC 120V~60Hz
<b>Audio output</b>	30W
<b>BT working range</b>	32 feet
<b>AUX input</b>	Ø 3.5mm stereo headphone jack
<b>USB File system</b> <b>USB max capacity</b>	FAT 16 / FAT 32 32GB
<b>FM coverage</b> <b>AM coverage</b>	87.5 - 108 MHz 520 - 1710 KHz

## FCC Statement

This equipment has been tested and found to comply with the limits for a Class B digital device, pursuant to Part 15 of the FCC Rules. These limits are designed to provide reasonable protection against harmful interference in a residential installation. This equipment generates, uses and can radiate radio frequency energy and, if not installed and used in accordance with the instructions, may cause harmful interference to radio communications. However, there is no guarantee that interference will not occur in a particular installation. If this equipment does cause harmful interference to radio or television reception, which can be determined by turning the equipment off and on, the user is encouraged to try to correct the interference by one or more of the following measures:

- Reorient or relocate the receiving antenna.
- Increase the separation between the equipment and receiver.
- Connect the equipment into an outlet on a circuit different from that to which the receiver is connected.
- Consult the dealer or an experienced radio/TV technician for help.

This device complies with part 15 of the FCC Rules. Operation is subject to the following two conditions:

- (1) This device may not cause harmful interference, and (2) this device must accept any interference received, including interference that may cause undesired operation.

The antenna(s) used for this transmitter must be installed to provide a separation distance of at least 20 cm from all persons and must not be co-located or operating in conjunction with any other antenna or transmitter.

# LIMITED WARRANTY

This manufacturer's product warranty extends to the original consumer purchaser of the product. Neither the retailer nor any other company involved in the sale or promotion of this product is a co-warrantor of this manufacturer warranty.

**WARRANTY DURATION:** All materials and workmanship are warranted to the original consumer purchaser for a period of ninety (90) days from the original purchase date.

**WARRANTY COVERAGE:** This product is warranted against defective materials or workmanship. This warranty is void if the product has been damaged by accident, in shipment, unreasonable use, misuse, neglect, improper service, commercial use, repairs by unauthorized personnel or other causes not arising out of defects in materials or workmanship. This warranty doesn't cover the following which may be supplied with this product, including but not limited to; LCD Screens, glass parts, lenses, etc. This warranty is effective only if the product is purchased and operated in USA, and does not extend to any units which have been used in violation of written instructions furnished by manufacturer or to units which have been altered or modified or, to damaged products or parts thereof which have had the serial number removed, altered, defaced or rendered illegible.

**WARRANTY DISCLAIMERS:** This warranty is in lieu of all warranties expressed or implied and no representative or person is authorized to assume for manufacturer any other liability in connection with the sale of our products. There shall be no claims for defects or failure under any theory of tort, contractor commercial law including but not limited to, negligence, gross negligence, strict liability, breach of warranty and breach of contract.

**WARRANTY PERFORMANCE:** During the above 90 day warranty period, a product with a defect will be either repaired or replaced with a reconditioned comparable model (at manufacturer's option). The repaired or replacement product will be in warranty for the balance of the 90 day warranty period and an additional one-month period. No charge will be applicable for such repair or replacement.

**SERVICE AND REPAIR:** If service is required for this product, you should first contact Midwest Trading Group Customer Service at [info@mtradinggroup.com](mailto:info@mtradinggroup.com) or by calling 1 (866) 815-4714, Monday to Friday 9am to 5pm CST.

**NOTE:** Manufacturer cannot assume responsibility for loss or damage during incoming shipment. As a precautionary measure, carefully package the product for shipment, and insure it with the carrier. Be sure to enclose the following details with the product: your full name, return address and daytime phone number, a note describing the problem you experienced, a copy of your sales receipt or other proof of purchase to determine warranty status. C.O.D. shipments cannot be accepted.