

INCANDESCENT CABINET LIGHT
LUMIERE INCANDESCENTE POUR ARMOIRE (Page 4)
LUZ DE GABINETE INCANDESCENTE (Página 9)

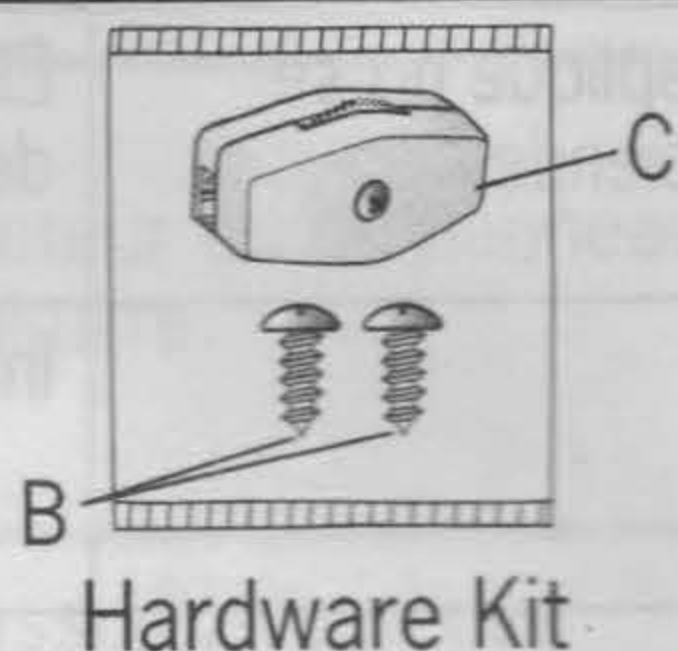
MODEL/MODÉLE/MODELO #GU9410-WH-I,
GU9420-WH-I, GU9430-WH-I



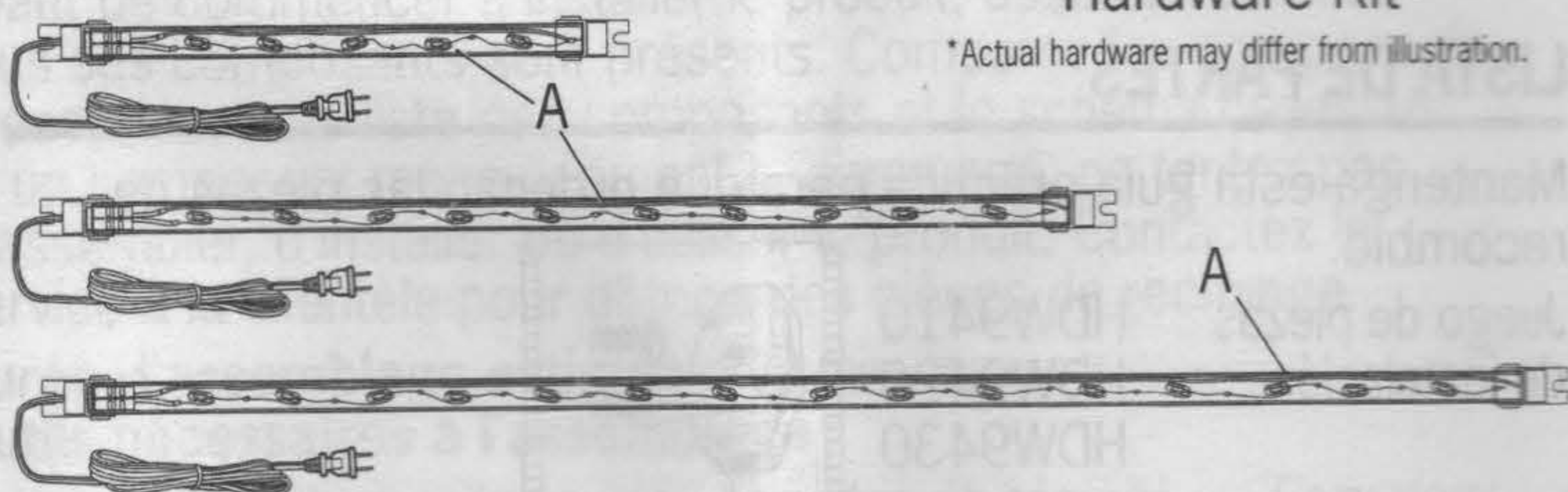
Questions, problems, missing pieces? Before returning to your retailer, visit our website at www.goodearthlighting.com/support.html or contact our customer service department at 1-800-291-8838, 8 a.m.-5 p.m., CST, Monday-Friday.

PACKAGE CONTENTS

Part	Description	Quantity
A	Fixture	1
B	Screws	2
C	Inline Switch	1



*Actual hardware may differ from illustration.



WARNINGS AND CAUTIONS

WARNING

- Shut off power at the circuit breaker or fuse panel before removing the old fixture.

PREPARATION

Before beginning installation of product, make sure all parts are present. Compare parts with package contents list and diagram above. If any part is missing or damaged, do not attempt to assemble, install or operate the product. Contact customer service for replacement parts.

Estimated Assembly Time: 15 minutes

Tools Required for Assembly

- | | | |
|----------------------|--------------------|--------------|
| Phillips Screwdriver | Safety Glasses | Wire Cutters |
| Soft Cloth | Drill Bit 1/16 in. | Drill |

PREPARATION

Your Utilitech™ incandescent light strip accent lighting is the perfect accent lighting solution for kitchens, bathrooms, bookcases, entertainment centers, and study areas. We recommend you read through the instructions entirely before starting your installation in order to help you understand all the steps and options regarding your particular installation. Unlike other accent lighting strips, your Utilitech™ accent light strips do not use foam tape for mounting. The light strips employ a unique end cap with mounting ears so it can be securely fastened to your mounting surface with the wood screws provided. This method of securement is much more reliable than foam tape which tends to de-laminate from the mounting surface after a period of time.

These accent lights are intended for under cabinet or under shelf installations **ONLY**.

- DO NOT** install these lights **INSIDE** of cabinets.
- DO NOT** attempt to install while plugged in. This lighting kit is for indoor use only and can be mounted to cabinets and surfaces having a material thickness of at least 3/8 in.
- DO NOT** mount over sinks or stoves.
- DO NOT** attempt to route the line cord through fixed

cabinets, walls, or soffits.

- DO NOT** mount these lights vertically; these lights are intended for horizontal mounting only.

Caution: Shock Hazard: DO NOT attempt to remove the clear mounting end caps on the fixture.

IMPORTANT SAFETY INSTRUCTIONS

This unit has a polarized plug (one blade is wider than the other) as a safety feature. This plug will fit in a polarized outlet only one way. If the plug does not fit fully into the outlet, reverse the plug. If it still does not fit, contact a qualified electrician. Never use with an extension cord unless plug can be fully inserted. **DO NOT** attempt to defeat this feature.

SAVE THESE INSTRUCTIONS

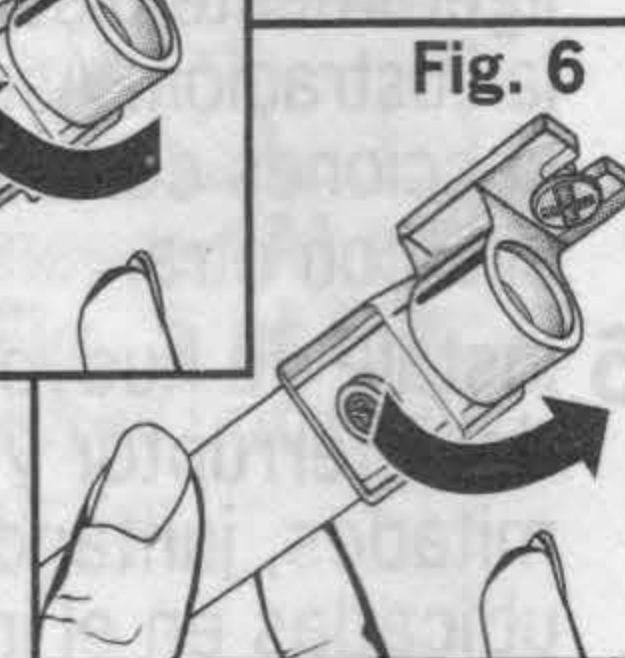
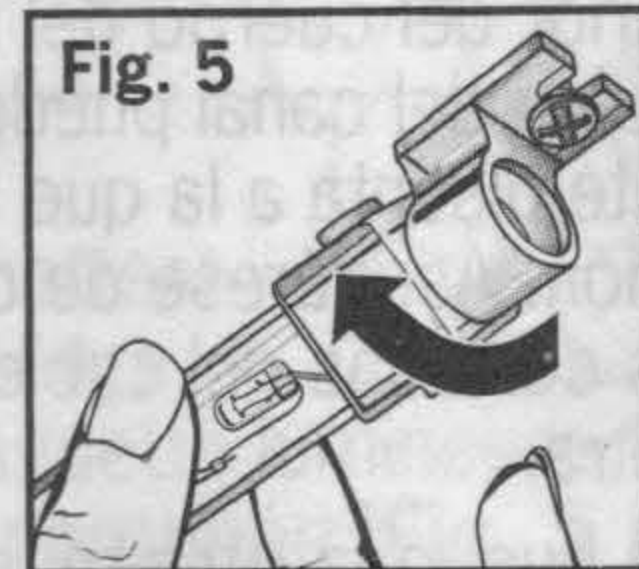
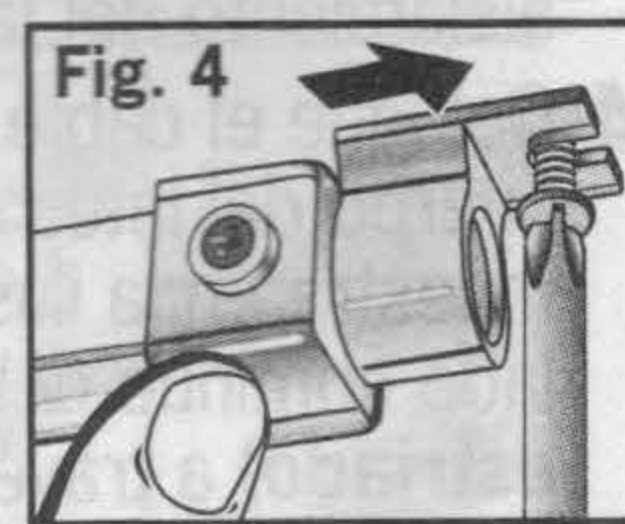
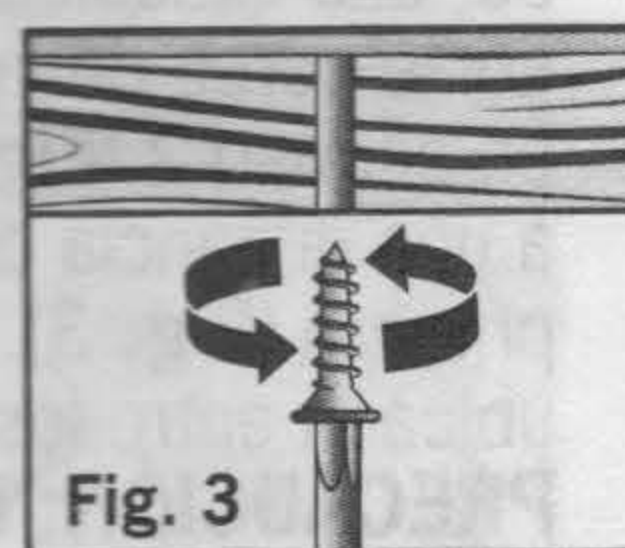
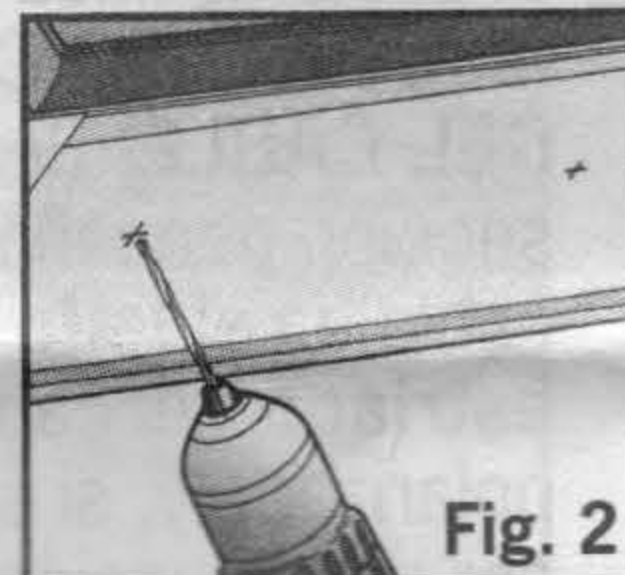
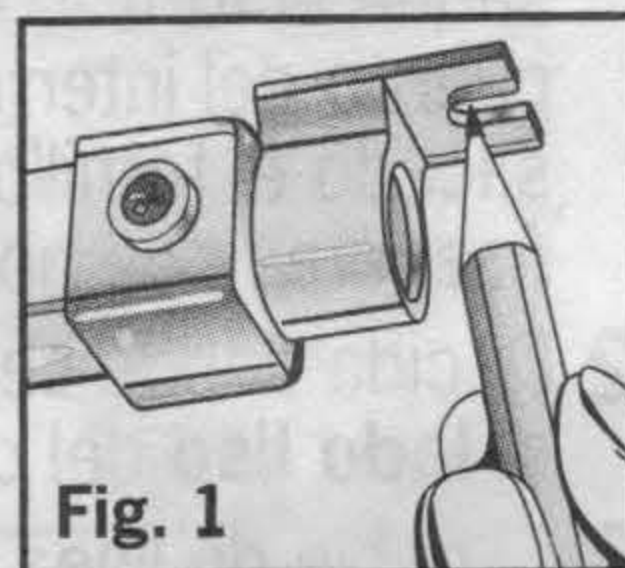
DO NOT ATTEMPT TO ASSEMBLE THIS LAMP WHILE IT IS PLUGGED IN. THIS LAMP IS FOR INDOOR USE ONLY.

Plan your installation prior to actually securing your lights to the mounting surface, making sure that your cord set will reach the nearest electrical outlet. **DO NOT** plug your cord into an electrical outlet at this time. You should only plug your cord in **AFTER** you have completed the installation of the switch and mounted your accent light properly.

Your Utilitech™ accent strip is a sealed unit and should **NOT** be opened for any reason. The bulbs are not replaceable. The bulbs are extra long life bulbs and should last approximately 20,000 hours in regular use.

MOUNTING INSTALLATION

- Select the location where you want to mount your light strip (A). Make sure there is sufficient room for the length of your light strip.
- While holding the light strip in position, mark the location of the screws in the end cap mounting ears with a pencil or awl (Fig. 1). The screw hole locations must be exact for the fixture to mount properly.
- Drill a 1/16 in. pilot hole into the marked screw locations (Fig. 2). You can also use an awl or nail to dimple the screw holes.
- Screw in one of the two #8 mounting screws (B) until approximately 1/8 in. of space remains under the head of the screw (Fig. 3).
- Slide one of the end cap mounting ears under the screw head. Line the other end cap mounting hole up with the pencil mark made in step 3. While holding the accent light in place, screw in the second mounting screw. Finish tightening down both screws until the accent light strip is securely fastened to your mounting surface (Fig. 4). **DO NOT** over-tighten; fasteners will break.
- The mounting ears allow you to swivel your strip light. You can adjust the angle of the light wand (A) by swiveling it to the proper position (Fig. 5 and Fig. 6). Make sure you have turned off the light and allowed the fixture to cool properly before handling.

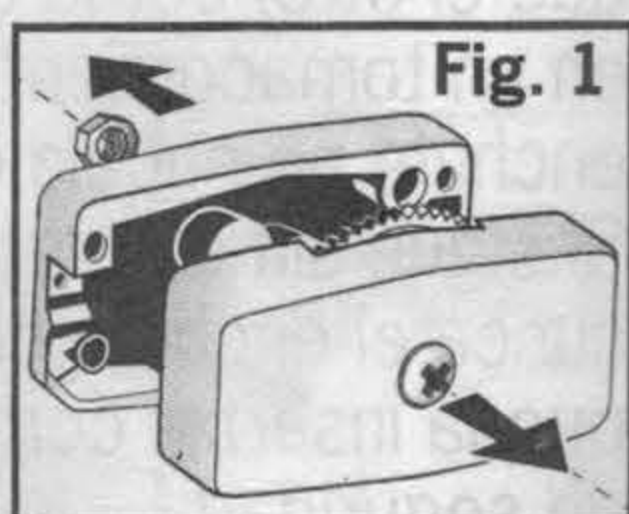


SWITCH INSTALLATION

WARNING: BEFORE BEGINNING YOUR SWITCH INSTALLATION, MAKE SURE YOUR LIGHT WAND IS UNPLUGGED.

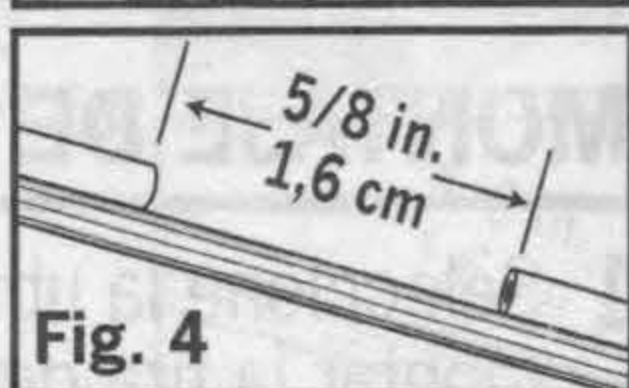
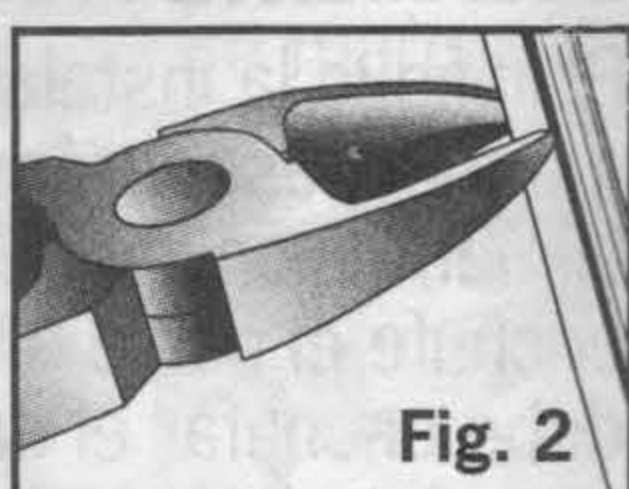
Fixtures being plugged into a switch controlled wall outlet will not require a line switch to be installed. However, if the outlet is not switched, the line cord switch should be installed to switch the light on and off. The line switch included in the hardware kit may differ from the one in the illustrations, but it will be installed using the same basic instructions.

1 Choose a convenient, easy-to-reach location on the line cord to install the line cord switch (C). Mark the location on the smooth side of the cord. Loosen and remove the screw that holds the switch body together and once removed separate the body into halves (Fig. 1). Make sure not to lose the screw and the small nut.

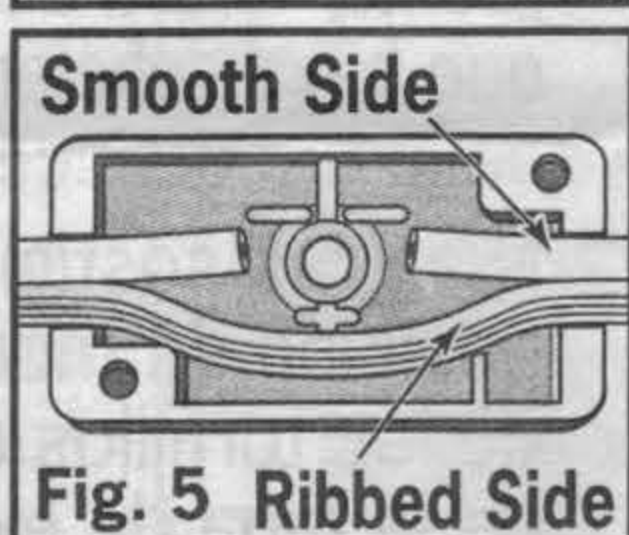


2 Decide where the switch is to be placed and make a mark on the **smooth side** of the cord using a pen or marker.

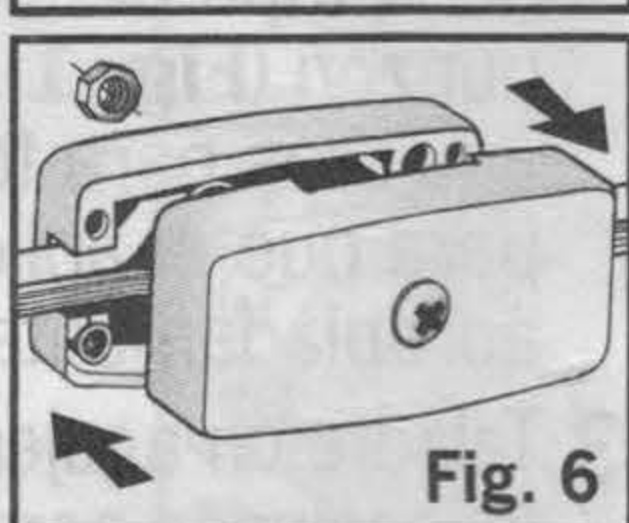
3 The line cord has a **ribbed side** and a **smooth side**. **DO NOT CUT THE RIBBED SIDE OF THE CORD!** A small section (1/2 in. to 5/8 in.) of cord will need to be removed on the **smooth side** of the cord. The **ribbed side** of the cord contains a polarized wire and damaging it may result in an unsafe situation. Make the first cut near the mark drawn on the cord in Step 2 (Fig. 2). Make a second cut between 1/2 in. to 5/8 in. away from the first (Fig. 3). Peel the section between the cuts out (Fig. 4). **CAUTION: do NOT cut or damage the insulation of the ribbed side** of the cord.



4 Place the cord in the hollow half of the switch body as shown (Fig. 5). Trace the continuous side of the line cord (**ribbed side**) through the channel located in the lower half of the switch body. The configuration of the channel may vary somewhat from the illustration. Make sure that the cut sections of the wire do not touch each other.



5 Put the other half of the switch body back on and squeeze the two halves together so the contact pins inside the switch pierce the insulation on the cut wire. Replace the attachment screw and nut and tighten the switch body back together (Fig. 6).



CARE AND MAINTENANCE

Your fixture is made from quality materials that will last for many, many years with minimum care. You may want to periodically clean the fixture using a mild, non-abrasive glass cleaner and soft cloth. Do **NOT** use solvents or cleaners containing abrasive agents. When cleaning the fixture, make sure you have the power turned off and do not spray liquid cleaner directly onto the bulb, socket, ballast, or wiring.

TROUBLESHOOTING

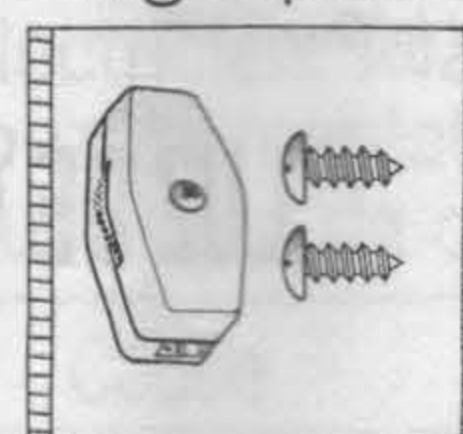
Minor problems often can be fixed without the help of an electrician. Before doing any work on the fixture, shut off power supply at the circuit breaker panel to avoid electrical shock.

Problem	Cause	Solution
Fixture doesn't light	Power is off	Check if power supply is on
	Bad switch	Test or replace switch

REPLACEMENT PARTS LIST

Keep this guide handy for ordering replacement parts.

Hardware Kit HDW9410
HDW9420
HDW9430



NEED HELP?

In the event you are missing a part or have questions regarding installation please visit our website at www.goodearthlighting.com/support.html or call the Customer Care Center **1-800-291-8838**.

UTILITECH™ LIGHTING WARRANTY

1-YEAR

Good Earth Lighting® warrants this lighting fixture to be free from defects in materials and workmanship for a period of (1) year from the date of original purchase by the consumer. We will repair or replace (at our option) the unit in the original color, and style if available, or in a similar color and style if the original item has been discontinued, without charge, exclusive of bulbs. Defective units must be properly packed and returned to Good Earth Lighting® with a letter of explanation and your original purchase receipt showing date of purchase. **Call us at 1-800-291-8838** to obtain a Return Authorization number and an address where to ship your defective product.

Note: No C.O.D. shipments will be accepted. The liability of Good Earth Lighting® is in any case limited to replacement of the defective light fixture product. Good Earth Lighting® will not be liable for any other loss, damage, or injury which is caused by the product. This limitation upon the liability of Good Earth Lighting® includes any loss, damage, or injury which is (I) to person or property or otherwise; (II) incidental or consequential in nature; (III) based upon theories of warranty, contract, negligence, strict liability, tort, or otherwise; or (IV) directly, or indirectly related to the sale, use, or repair of the product. This warranty gives you specific rights, and you may also have other rights which vary from state to state.

Printed in China

Distributed by: **Good Earth Lighting, Inc., 5260 Capitol Drive, Wheeling, IL 60090**

UTILITECH™
Grounded in Quality™

ARTICLE
#206476, 144686, 149294

LUMIÈRE INCANDESCENTE POUR ARMOIRE

MODÈLE #GU9410-WHI, GU9420-WHI, GU9430-WHI

Questions, problèmes, pièces manquantes ? Avant de rapporter chez votre détaillant, visitez notre site web à www.goodearthlighting.com/support.html ou contactez notre département de service à la clientèle au **1-800-291-8838** entre 8 h 00 et 17 h 00, heure du Centre, du lundi au vendredi.