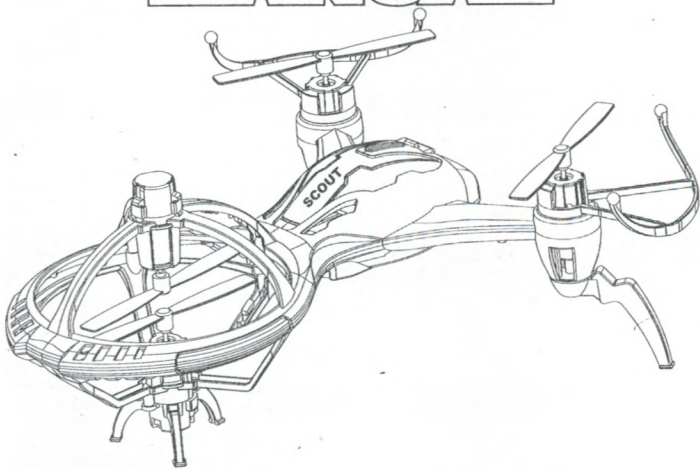


INSTRUCTION MANUAL



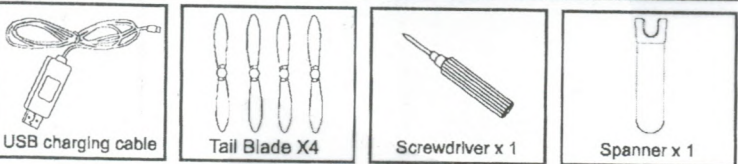
- 4 Powerful Motors
- 3.7V 350 mAh Lipo battery
- 5 - 6 minute flight time

Hz Remote Controlled Tri-Quadcopter

33 North Mall • Plainview, NY 11803
 Contact: info@leadingedge novelty.com
 Tel: 516-484-4177

<p>HAZARD NIMH BATTERY SAFETY</p> <p>Insert the batteries in the correct polarity and do not mix old and new batteries. When you are not going to use the product for an extended period, remove the batteries to avoid damage from battery leakage and corrosion. Do not use the product if there are any signs of battery leakage. Dispose of used batteries properly according to local recycling regulations in order to prevent environmental pollution.</p>	
<p>HAZARD Keep away from sources of heat</p> <p>The quadcopter is made of various plastics and electrical components, therefore keep it away from sources of heat and direct sunlight to prevent the product from deforming or even melting under high temperatures.</p>	<p>FIRE</p>
<p>WARNING Seek assistance from an experienced pilot</p> <p>This product is suitable for use by children over 14 years of age. It takes a while to learn how to control the quadcopter, therefore it is recommended that you seek the assistance of an experienced pilot when you start using the product.</p>	
<p>HAZARD LI-POLYMER BATTERY SAFETY</p> <p>Li-polymer batteries are more dangerous than other battery types, therefore it is imperative that you read the following battery safety information carefully before use. We shall not be held liable for any damage or injury caused by improper usage.</p> <p>Only use the original charger included with the product to prevent the risk of fire or explosion.</p> <p>Do not crush, disassemble or burn the battery or connect it in reverse polarity. In addition, do not allow metal objects to come into contact with the battery's terminals to prevent the risk of a short circuit.</p> <p>Keep sharp objects away from the battery to prevent the risk of a fire.</p> <p>Take care when charging the battery and monitor the charging process at all times. Keep the battery out of reach of children to prevent the risk of an accident. Do not charge the battery if it becomes hot after use, otherwise the battery may expand, deform, explode or even start a fire.</p> <p>Dispose of used batteries properly according to local recycling regulations in order to prevent environmental pollution.</p>	

3. STANDARD ACCESSORIES



1. INTRODUCTION

Thank you for purchasing another great Leading Edge product. This quadcopter is designed to fly indoors and outdoors. Please read this instruction manual carefully before using to familiarize yourself with how to use the quadcopter. Keep these instructions in a safe place so that you can refer to them when adjusting or repairing the product.

Your Tri-quadcopter is designed to fly outdoors, provided that the wind speed does not exceed 3 - 4 miles per hour.

WARNING

This product is not a toy. Despite its small size, the quadcopter still has the potential to cause injury, therefore refer to the safety information and usage instructions to ensure its proper use. Reassembly, disassembly, improper usage or unfamiliarity with the product may result in unforeseeable hazards or injury.

ATTENTION: The manufacturer or dealer shall not be held liable for any damages or injuries caused by damaged components, improper assembly or use of the product in unsafe surroundings. The quadcopter is suitable for children 14 years or older. Please ensure that proper use of the product, and a suitable flying area is selected. The product will not be eligible for a replacement or refund under warranty if there is any damage to the quad caused by improper usage, e.g. the components are damaged due to disassembly. Models like these require a certain amount of technical knowledge to operate and are easily damaged if not handled correctly.

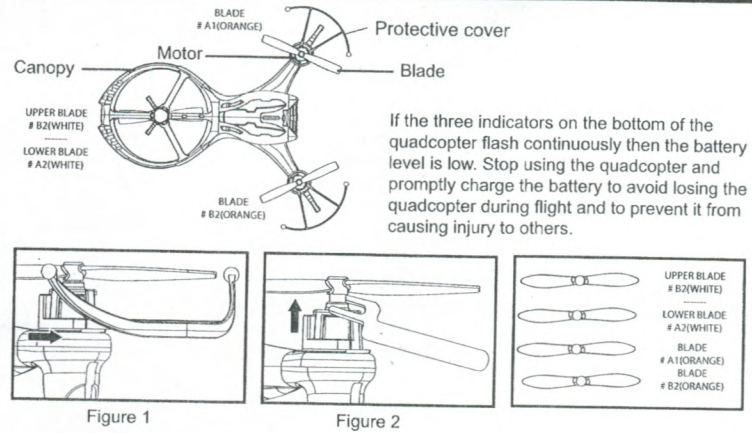
2. SAFETY INFORMATION

WARNING

Quadcopters can be dangerous if not operated in a safe manner. Make sure to fly your quad in an open area, free of power lines, obstructions, and make sure people are kept at a safe distance to prevent injuries. Improper assembly, damaged components, a faulty controller or unfamiliarity with how to use the product may result in loss of control, and could cause damage or injuries.

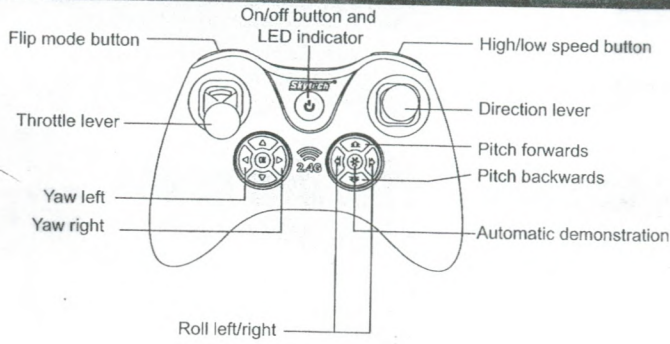
<p>HAZARD</p> <p>This product is suitable for indoor and outdoor use (except in conditions when the wind speed exceeds 4 mph. Choose an indoor or outdoor space without any obstacles and do not operate near people or pets. Do not operate the quad near heat sources, power lines or sources to prevent fires, electrical shocks.</p>	<p>HAZARD This quadcopter is designed for indoor and outdoor use. Fly in an open space away from obstructions.</p>	
<p>HAZARD</p> <p>The quadcopter contains many precision components. It is therefore essential to keep the product away from damp environments and rainy weather conditions to prevent damage or injury due to water getting into the quadcopter and damaging the device or the electrical components.</p>	<p>HAZARD Do not use in damp environments</p>	
<p>HAZARD</p> <p>Do not disassemble, modify, upgrade or attempt to repair the product without supervision. Only use Leading Edge components to ensure safe operation and only use the product as instructed in this manual. Do not overload the product or use it for illegal purposes.</p>	<p>HAZARD Ensure proper use</p>	

4. YOUR QUADCOPTER AT A GLANCE



1. Install the protective cover on each of the four motor frames (see fig. 1).
2. If one of the quadcopter blades is damaged, use the spanner tool to remove the damaged blade and replace it with the corresponding replacement blade included (see fig.2). The blades are marked with corresponding numbers. It is imperative that the correct blade is placed in the correct position on the quad. (SEE POSITIONS ABOVE) If not, the quad WILL NOT FLY.

5. CONTROLLER FUNCTIONS

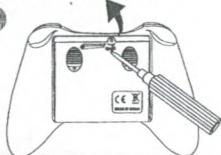


6. INSERTING BATTERIES INTO THE CONTROLLER

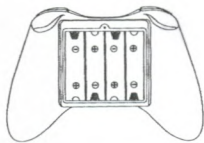
HAZARD Do not disassemble

1. Use the screwdriver (included) to unscrew the battery compartment in a counter clockwise direction (see step 1).
2. Insert 4 "AA" batteries into the battery compartment following the correct polarity marks (see step 2).

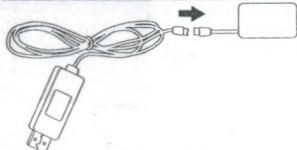
Step 1



Step 2



7. CHARGING AND INSERTING THE QUADCOPTER BATTERY



Only use the Leading Edge USB charging cable included to charge the battery. Connect the charging cable to the power input on the battery.

WARNING

For safety reasons, you should monitor the charging process at all times.

LED Indicator

Red light on	Red light off
Charging complete	Charging

Inserting and removing the quadcopter battery: Open the front battery cover and insert the battery into the quadcopter. Then plug the quadcopter power cable into the battery cable and replace the battery cover.

8. BATTERY AND CHARGER SPECIFICATION

Battery life and charging time

Battery type	Battery Specification	Battery life	Charge Time
Li-po battery	3.7V 350mAh	Flight time approx. 5 mins 30 secs	Approx. 60 Minutes

4

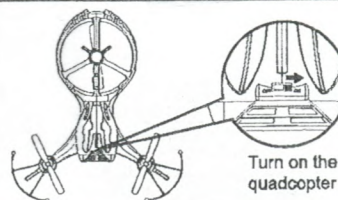
10. FLIGHT CONTROLS AND SETTINGS

1. Place the quadcopter in an open space.
2. Practice using the two control sticks (refer to the diagrams below), including the controls for throttle, pitch, yaw and roll.
3. Practicing the controls before flying the quad is very important. Keep practicing until controlling the quad becomes instinctive and your fingers move in accordance with the instructions given below.

Controller	Quadcopter	Controller	Quadcopter
			When you activate the automatic cruise feature, the quadcopter will cruise automatically according to the preset trajectory.
			If the quad keeps drifting in one direction and this cannot be rectified using the trim adjustment buttons, the quad needs to be recalibrated. Ensuring that the surface is level, move both sticks on the controller to the bottom right corners at the same time until the quadcopter LED lights flash. When the LED lights stop flashing the quad is now calibrated. Move the throttle stick to the full up position and then back down. The quad is ready to use.

6

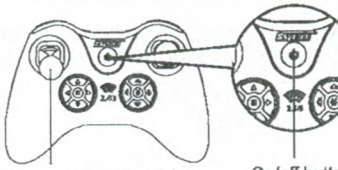
9. LINKING THE CONTROLLER TO THE QUADCOPTER



Turn on the quadcopter

Step 1

Move the on/off switch on the quadcopter to the ON position. Place the quadcopter on a level surface and do not move it when the LED indicator is flashing to ensure that the gyroscope is calibrated correctly.

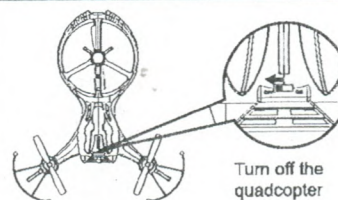


Move the throttle stick to the lowest position

On/off button

Step 2

Press the on/off button on the controller and move the throttle stick from the lowest to the highest position and then back to the lowest position again to link the controller to the quadcopter.



Turn off the quadcopter

Step 3

Move the on/off switch on the quadcopter to the OFF position after you have finished using it to avoid draining the battery.

WARNING

Leaving the quadcopter on will cause the battery to drain, which may damage the battery and constitutes a fire hazard.



On/off button

Step 4

Turn off the controller. If you do not intend to use the quadcopter for an extended period, remove the batteries from the controller and store them in a safe place.

WARNING

If the batteries are not removed this may cause battery leakage, which may damage the controller and constitutes a fire hazard.

5

CAUTION

Only use the quadcopter in open indoor or outdoor spaces away from people and obstacles.

- Ensure that all the screws on the quad are firmly tightened.
- Check that the batteries in the quad and controller are fully charged.
- Make sure that there are no people or obstructions in the vicinity.
- For safety reasons, you must practice hovering the quad first, as this is one of the basic flight actions (hovering means keeping the quadcopter in the air in a fixed position).
- When flying the quad always stand at least 6 - 7 feet behind the quadcopter.
- If the four (4) LED indicators on the bottom of the quad flash continuously, then the battery level is low and requires a recharge.
- The protective covers and base stand may fall off if the quadcopter is subjected to a serious collision. Land correct and continue.

11. TROUBLESHOOTING

Situation	Cause	Solution
1 The LED indicator on the quadcopter flashes continuously after connecting the battery; there is no response to commands from the controller.	The quadcopter was not successfully linked to the controller.	Repeat the step for linking the controller to the quadcopter (see p.5 "Linking the Controller to the Quadcopter").
2 The quadcopter does not respond after connecting the battery.	1. Check that the quadcopter and controller are switched on. 2. The batteries in the quadcopter/controller are empty. 3. The batteries are not inserted properly.	1. Turn on the controller and ensure that the quadcopter battery is inserted properly. 2. Use fully charged batteries. 3. Insert the battery again and ensure that the terminals are connected properly.
3 The motor does not respond to the throttle lever and the LED indicator on the quadcopter flashes.	The quadcopter battery level is too low.	Charge the battery or replace it with a fully-charged battery.
4 The tail blades do not turn.	The blade is too close to the motor.	Pull the blade upwards so that it is not too close to the motor.
5 The blades spin but the quadcopter does not take off.	1. The blades are damaged. 2. The quadcopter battery level is too low.	1. Replace the damaged blade(s). 2. Charge the battery or replace it with a fully-charged battery.
6 The quadcopter shakes or tilts sideways during flight.	The blades are damaged.	Replace the damaged blade(s).
7 The quadcopter continues to spin after making trim adjustments or the left/right yaw speed is not consistent.	1. The blades are damaged. 2. The motor is damaged.	Replace the damaged blade(s).
8 The quadcopter keeps drifting in one direction.	The gyroscope is not calibrated properly.	Make trim adjustments to the quadcopter after turning it on.

7