

**READ ALL WARNINGS AND INSTRUCTIONS BEFORE USING PRODUCT.
INJURY CAN RESULT FROM IMPROPER USE. SAVE THESE INSTRUCTIONS.**

⚠ WARNING

- In the event of a flat tire, park vehicle away from traffic in a safe place and turn your hazard lights on. Do not get out of your car until it's safe to do so.
- The Air Dragon™ can be used to top off or inflate tires. It is not recommended to inflate a tire from flat to full. The unit cannot be used for more than 15 minutes continuously without overheating. If overheated, your Air Dragon™ will power off to protect itself. Please allow it to cool down for at least 15 minutes before restarting. Extreme care should be taken once used on tire to be sure it is inflated enough to safely drive on.
- If your tire has a large puncture, a blown tire, or the tire pressure always seems to be low, please contact roadside assistance, or bring your vehicle in for repair immediately.
- Do not remove objects that have punctured the tire (screws, nails, glass, etc.)
- If the filled pressure does not reach 29 PSI, do not continue to drive. Please contact roadside assistance, or bring your vehicle in for repair immediately.
- Please keep this away from children.

This device complies with Part 15 of the FCC Rules.

Operation is subject to the following two conditions:

- 1) this device may not cause harmful interference, and
- 2) this device must accept any interference received, including interference that may cause undesired operation.

Warning: Changes or modifications to this unit not expressly approved by the party responsible for compliance could void the user's authority to operate the equipment.

NOTE: This equipment has been tested and found to comply with the limits for a Class B digital device, pursuant to Part 15 of the FCC Rules.

These limits are designed to provide reasonable protection against harmful interference in a residential installation. This equipment generates, uses and radiates radio frequency energy and, if not installed and used in accordance with the Instructions, may cause harmful interference to radio communications. However, there is no guarantee that interference will not occur in a particular installation. If this equipment does cause harmful interference to radio or television reception, which can be determined by turning the equipment off and on, the user is encouraged to try to correct the interference by one or more of the following measures:

Reorient or relocate the receiving antenna.

Increase the separation between the equipment and receiver.

Connect the equipment into an outlet on a circuit different from that to which the receiver is connected.

Consult the dealer or an experienced radio/TV technician for help.

LIMITATION OF LIABILITY

Liability limited to the purchase price of this product. Telebrands Corp. shall not be liable for any incidental or consequential damages or any implied warranty on this product. Some states do not allow the exclusion or limitation of incidental or consequential damages, so the above limitation or exclusion may not apply to you.



Manufactured for
TELEBRANDS

Fairfield, NJ 07004
©2016 Telebrands
www.telebrands.com

Made in China

**NO BATTERIES!
NO RECHARGING!
SIMPLY PLUG INTO CAR!**



AIR DRAGON™

Portable Air Compressor

**READ ALL WARNINGS AND INSTRUCTIONS BEFORE USING PRODUCT.
INJURY CAN RESULT FROM IMPROPER USE.**

⚠ WARNING

- **RISK OF BURSTING:** Inflate items only to manufacturer's recommendations. Over-inflating can cause them to explode, resulting in injury.
- Do not use for extended periods of time. Harm can be caused to the internal components if used for more than 15 minutes at a time. If used for an extended period of time, allow the unit to cool down for 15 minutes before restarting use.
- If you notice that the unit has become abnormally hot or starts to make an odd noise, turn the unit off and let it cool down for at least 30 minutes.
- Do not use this product in the rain, snow or expose it to freezing temperatures or temperatures above 122°F (50°C).
- Keep out of reach of children. This product is not a toy. Do not let children operate or play with any of the unit's accessories.
- Store in a cool dry place.
- Never inhale air from the product, or pump air into the mouth, nose, eyes or any other orifice of a person or animal. Serious injury can occur.
- Always make sure to use this unit in a well lit area that is away from any flammable fluids or gases.
- Always unplug the unit when not in use.
- Never unplug the unit by pulling on the cord and never carry the unit by the cord. Also, check the cord for signs of wear, damage or exposed internal wires. Do not expose cord to liquids, sharp objects, or impacts.
- Always use this unit in a setting where you are aware of your surroundings.
- Only use the accessories that are included with this product.
- **The built-in pressure gauge will provide an estimated reading only. Please confirm with a standard pressure gauge before driving.**

SAVE THESE INSTRUCTIONS.

PRODUCT INFORMATION

CAUTION

After using your Air Dragon™ for 15 minutes, allow it to cool down for at least 15 minutes before restarting use.

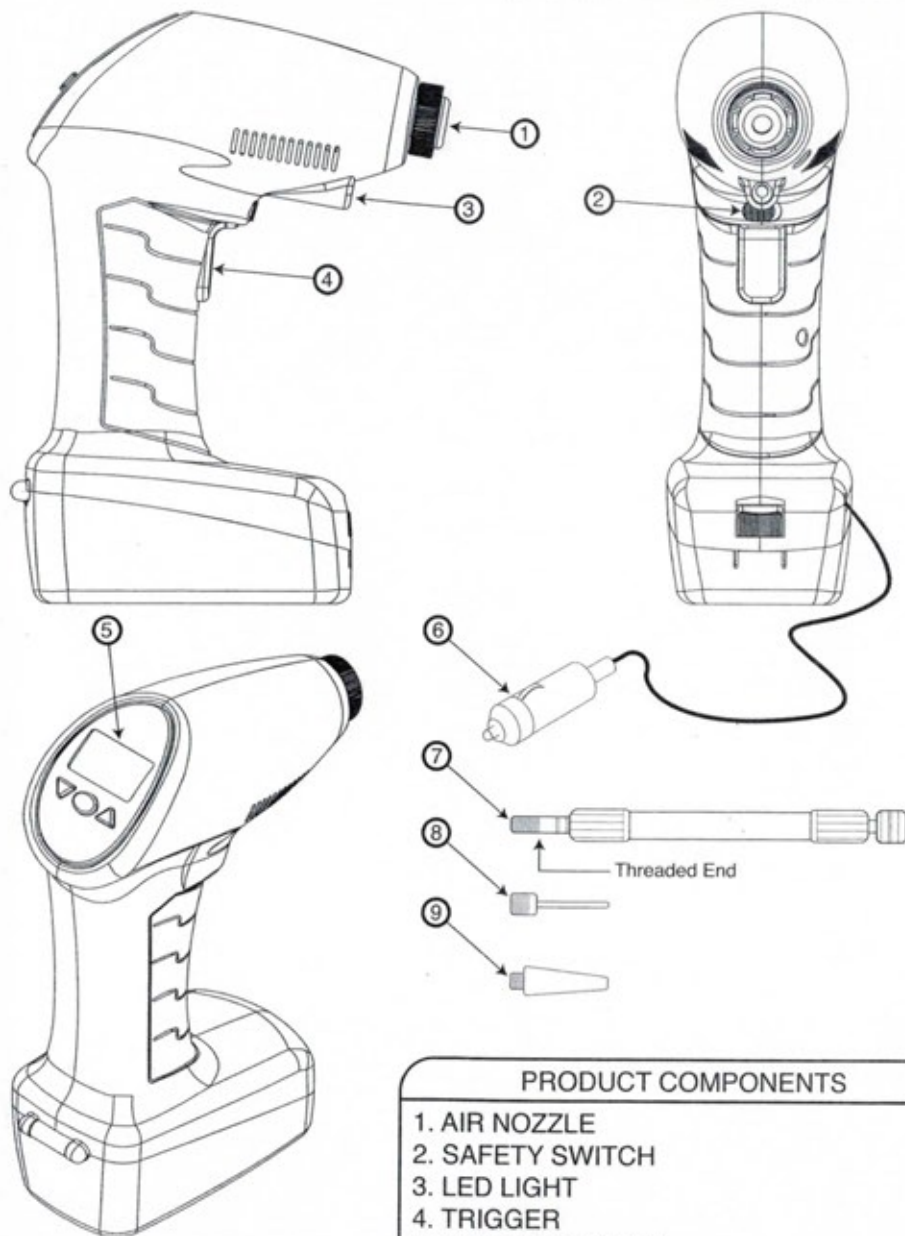
AIR DRAGON™

Portable Air Compressor

NO BATTERIES!
NO RECHARGING!
SIMPLY PLUG INTO CAR!

See included instruction manual for the full version of all guidelines and warnings.

Quick Start Guide



PRODUCT COMPONENTS

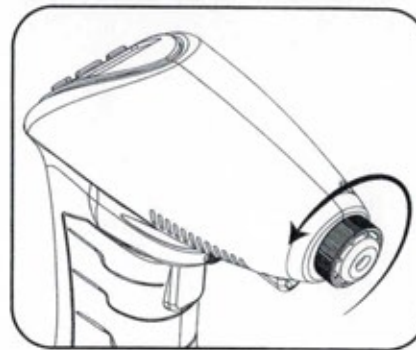
1. AIR NOZZLE
2. SAFETY SWITCH
3. LED LIGHT
4. TRIGGER
5. DIGITAL DISPLAY
6. CAR POWER CABLE (14ft. Long)
7. PRESSURE HOSE
8. BALL ADAPTER PIN
9. BALLOON ADAPTER PIN

APPLICATIONS

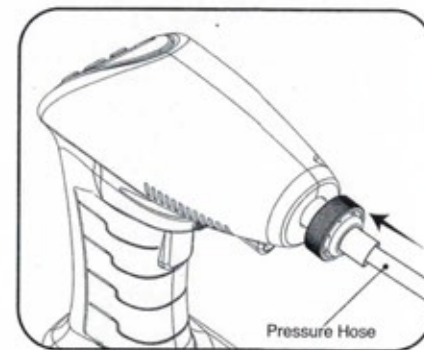
- Car/Truck Tires *
- Bicycle Tires
- Inflatable Sports Equipment
- Air Mattresses
- Stroller Tires

* Works on cars, SUVs and pickup trucks.
Not designed for larger commercial vehicles.

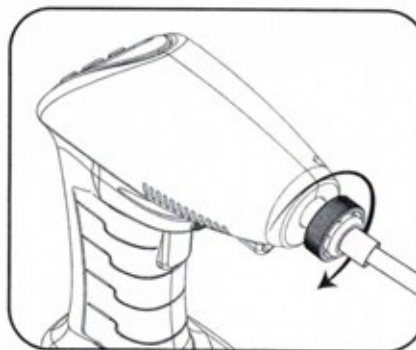
IMAGES MAY VARY FROM ACTUAL PRODUCT



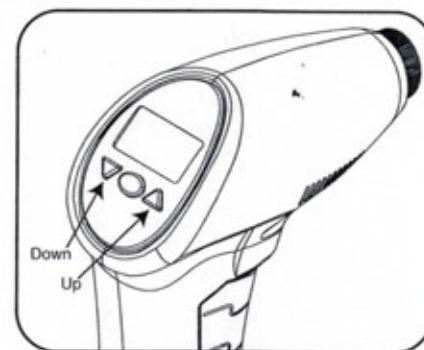
1. Loosen Air Nozzle



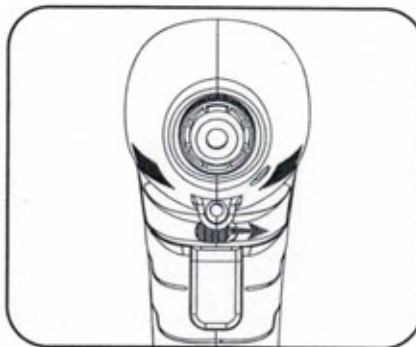
2. Insert Pressure Hose



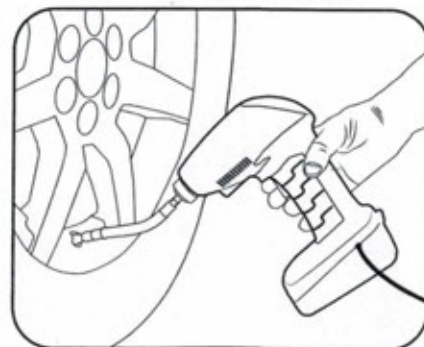
3. Tighten Air Nozzle



4. Check recommended tire pressure and set unit to that pressure



5. Unlock trigger



6. Connect and press trigger to fill

HOW TO USE

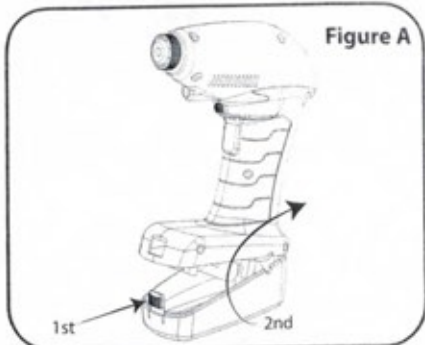


Figure A

1. Open the bottom compartment to reveal the Car Power Cable, Pressure Hose, Ball Adapter Pin and Balloon Adapter Pin. (Figure A)

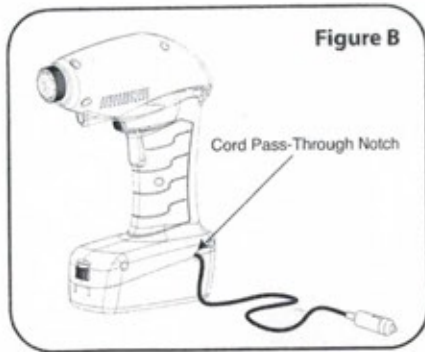


Figure B

2. Unwind the Car Power Cable and make sure that it is routed through the cord pass-through notch. (Figure B)

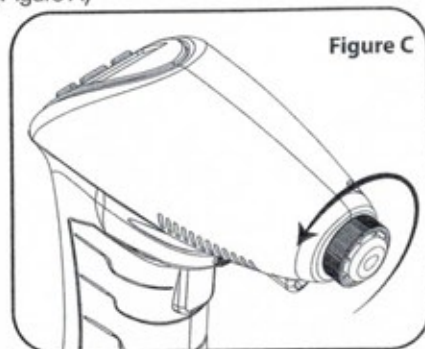


Figure C

3. Loosen the Air Nozzle by turning it counterclockwise. (Figure C)
(Note: Do not remove the Air Nozzle from the unit.)

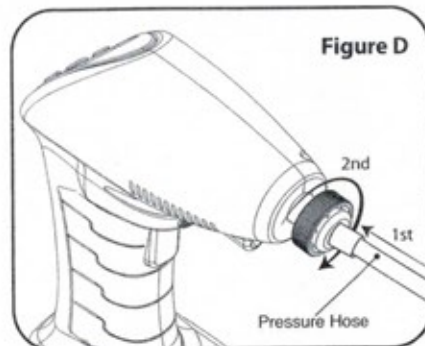


Figure D

4. Firmly push the Pressure Hose (threaded end first) through the Air Nozzle and into the unit. Then tighten down the Air Nozzle by turning it clockwise. (Figure D) (Note: Do not attempt to thread the Pressure Hose into the unit, it just needs to be pushed in.)

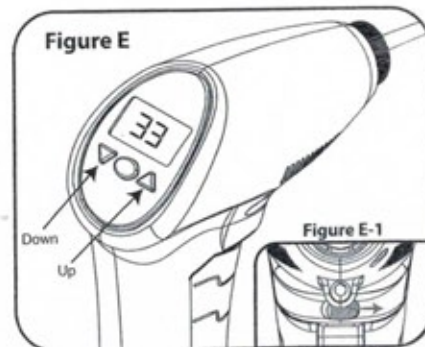


Figure E

Figure E-1

5. Now turn your vehicle on and plug the unit's Car Power Cable into one of your car's outlets. Refer to your vehicle's owner manual for the recommended tire pressure and set the unit to that PSI (Pounds Per Square Inch). (Figure E) Before moving on to the next step make sure the unit's safety switch is set to the unlock (right) position. (Figure E-1)

(Note: Do not close door on Car Power Cable)

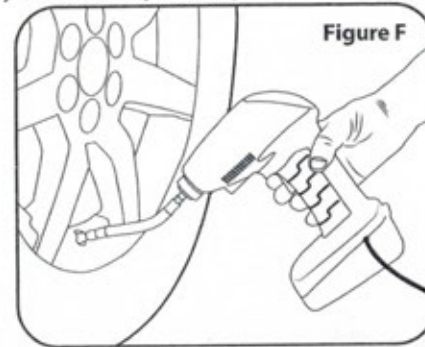


Figure F

6. Unscrew your tire's valve stem cap and keep it in a safe place while you fill up your tire. Next, screw the Pressure Hose onto the valve stem of your tire. Now Simply press the trigger on the Air Dragon™ and it will automatically stop when it reaches the preset tire pressure. (Figure F) Don't forget to put your tire's valve stem cap back on.

HOW TO USE ADAPTERS

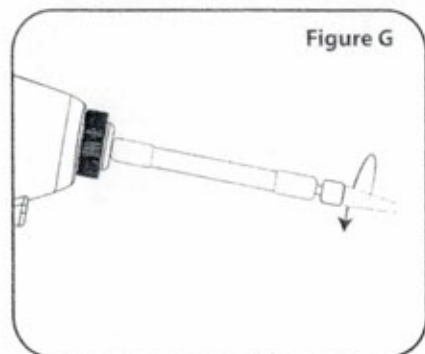


Figure G

To use the Ball Adapter Pin and Balloon Adapter Pin, simply screw either one onto the end of the Pressure Hose. (Figure G)

Make sure not to over-inflate the object. Refer to the object's user guide for the recommended inflation setting.

BALL ADAPTER PIN USES

- Basketballs
- Footballs
- Soccer Balls
- Volleyballs
- Workout Balls

BALLOON ADAPTER PIN USES

- Balloons
- Air Mattresses
- Pool Toys

RESETTING THE PSI

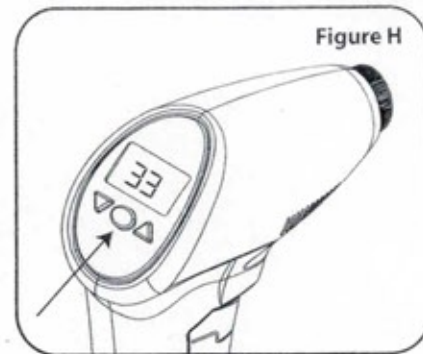


Figure H

To reset the Air Dragon's PSI reading to the factory setting of 33 PSI, simply press the center button. (Figure H)

This device complies with Part 15 of the FCC Rules.

Operation is subject to the following two conditions:

(1) this device may not cause harmful interference, and

(2) this device must accept any interference received, including interference that may cause undesired operation.

Warning: Changes or modifications to this unit not expressly approved by the party responsible for compliance could void the user's authority to operate the equipment.

NOTE: This equipment has been tested and found to comply with the limits for a Class B digital device, pursuant to Part 15 of the FCC Rules.

These limits are designed to provide reasonable protection against harmful interference in a residential installation. This equipment generates, uses and can radiate radio frequency energy and, if not installed and used in accordance with the Instructions, may cause harmful interference to radio communications.

However, there is no guarantee that interference will not occur in a particular installation. If this equipment does cause harmful interference to radio or television reception, which can be determined by turning the equipment off and on, the user is encouraged to try to correct the interference by one or more of the following measures:

- Reorient or relocate the receiving antenna.
- Increase the separation between the equipment and receiver.
- Connect the equipment into an outlet on a circuit different from that to which the receiver is connected.
- Consult the dealer or an experienced radio/TV technician for help.

LIMITATION OF LIABILITY

Liability limited to the purchase price of this product. Telebrands Corp. shall not be liable for any incidental or consequential damages or any implied warranty on this product. Some states do not allow the exclusion or limitation of incidental or consequential damages, so the above limitation or exclusion may not apply to you.

Manufactured for
TEL-Brands
Fairfield, NJ 07004
©2016 Telebrands
www.telebrands.com

Made in China